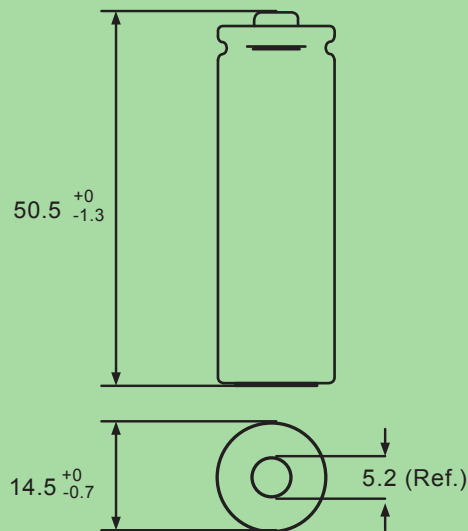




Model No.: **GP250AAHC**



Unit : mm

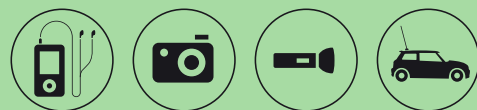
Benefits :

- High performance rechargeable batteries
High capacity
- Guaranteed for 6 years or 300 recharges, whichever comes first
- Ready to use, precharged
- Holds power up to 70% after 1 year once fully charged
- Recharged by GP Charger for the best performance
- Cost saving and environmentally friendly

Specifications :

- GP ReCyko⁺ Rechargeable battery
- Nickel Metal Hydride chemistry
- AA size
- Rated capacity 2450mAh
- Nominal voltage 1.2V
- Gross weight ~31g

Applications best for :



Battery handling :

- Batteries should be charged prior to use
- Remove batteries from the electrical device if the device is not going to be used for a long period of time.
- Do not mix new batteries in use with semi-used batteries.
- In order to maintain satisfactory cell/battery performance when being stored under an extended period of time, fully charge the cell/battery within a 12 month period is highly recommended.

