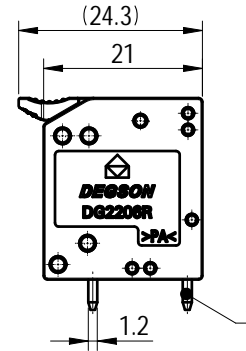
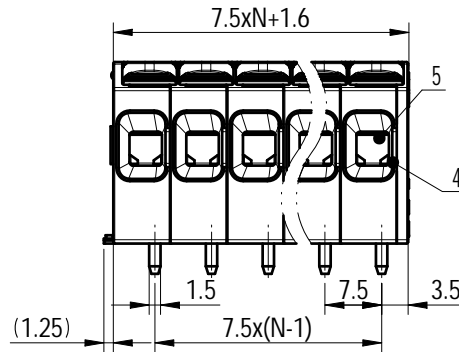
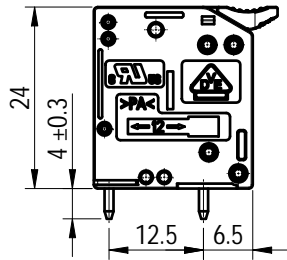
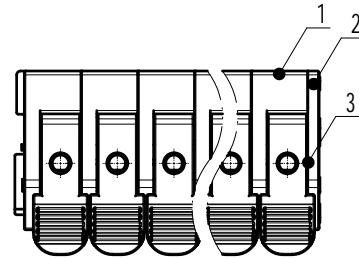
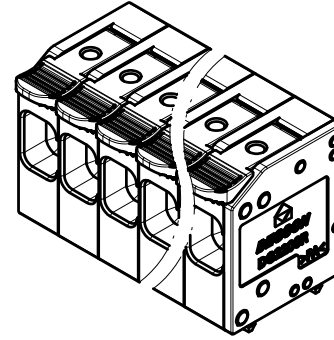


未注公差/General tolerances (mm)											0.1/10			
0 ~ 3	>3 ~ 6	>6 ~ 10	>10 ~ 18	>18 ~ 30	>30 ~ 50	>50 ~ 80	>80 ~ 120	>120 ~ 180	>180 ~ 250	>250 ~ 315		>315 ~ 400	>400 ~ 500	>500
±0.12	±0.18	±0.22	±0.26	±0.31	±0.37	±0.57	±0.80	±0.93	±1.05	±1.15	±1.60	±2.20	±2.50	±2'



ITEM	NAME OF PART	MATERIAL	NOTES
6	Pin header	Copper	Sn Plated
5	Spring	Stainless steel	/
4	Slider	Stainless steel	/
3	Lever	PA66-GF	UL94V-0
2	Cover	PA66	UL94V-0
1	Housing	PA66	UL94V-0

N=01P			
UL 标准/UL Standard:	B	C	D
额定电压/电流/Rated Voltage(V)/Current(A)	600/41	600/41	/
IEC 标准/IEC Standard:			
过压类别/Ovenvoltage Category/污染等级/Pollution Degree	III/3	III/2	II/2
额定电压/电流/Rated Voltage(V)/Current(A)	800/41	1000/41	1000/41
额定脉冲电压(KV)/Rate Impulse Voltage(KV)	8	8	8
N=02-12P			
UL 标准/UL Standard:	B	C	D
额定电压/电流/Rated Voltage(V)/Current(A)	300/41	150/41	300/10
IEC 标准/IEC Standard:			
过压类别/Ovenvoltage Category/污染等级/Pollution Degree	III/3	III/2	II/2
额定电压/电流/Rated Voltage(V)/Current(A)	500/41	690/41	1000/41
额定脉冲电压(KV)/Rate Impulse Voltage(KV)	6	6	6
线径范围(硬线和软线)/Wire Range(rigid and flexible)(AWG/mm²)	24~8 / 0.2~6,10(sol)		
剥线长度/Stripping length(mm)	11~13		
使用温度范围/Operating temperature(°C)	-40~+105		
符合RoHS环保要求/Conform to RoHS	Yes		

		MATERIAL:	SURFACE/COLOR:		
APPD:	CHKD:	MAT NO./REV:	MAT STATUS: work		
DRFT:	DATE:	NAME:	DG2206R-7.5-XXP-1Y-100Z(H)		
200381000	2025.08.19	DRAWING NO.:	TYPE:	DRAWING STATUS:	SCALE:
A4	2025.08.19	200381000	CUSTOMER DRAWING	work	1:1
				SHEET:	1/1

REV	ECN	DESCRIPTION	DRFT	DATE
00			陈招	2025.08.19

Transfer or duplication of this document as well as the utilization or communication of its contents are prohibited unless authorized in writing by DEGSON. All rights reserved for patent, utility model or design registrations. 除专利权明确标注外, 其他内容均受法律保护。未经授权, 禁止复制或传播。 未经授权, 禁止复制或传播。 未经授权, 禁止复制或传播。