

Vacuum block

VCBL-B 125x75x48 TV

Part no.:10.01.12.03170

<https://www.schmalz.com/10.01.12.03170>

Homepage > Vacuum Clamping Technology > Clamping Equipment for Woodworking > Clamping Equipment for Systems from Biesse > Vacuum Blocks VCBL-B > VCBL-B 125x75x48 TV

Vacuum block

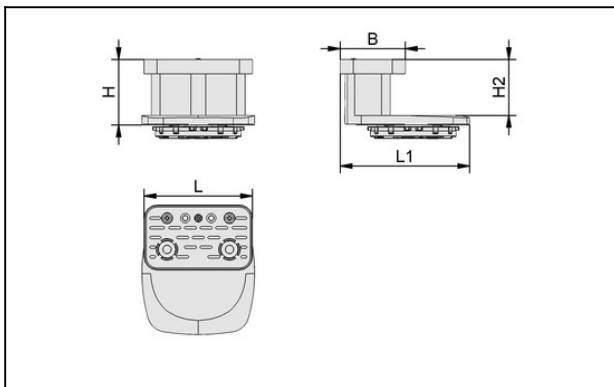


Dimensions (LxW): 125 x 75 mm

Height H: 48 mm

with: Sensing valve

Design Data



Attribute	Value
B	75 mm
H	48 mm
H2	38 mm
L	125 mm
L1	146 mm

Technical Data

Attribute	Value
Weight	0.458 kg

Biesse is a registered and protected trademark. The articles listed here are products of J. Schmalz GmbH that have been designed to fit CNC machining centers from Biesse.

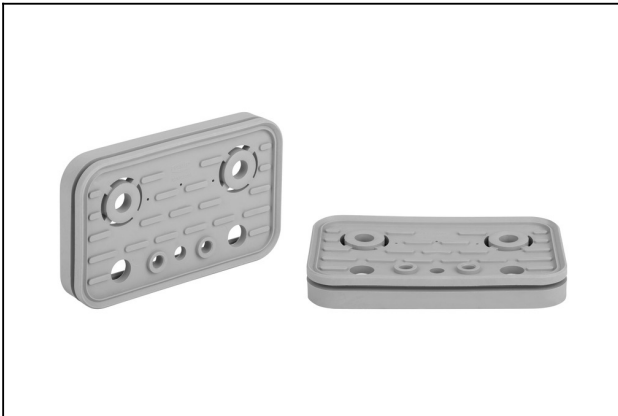
Vacuum block

VCBL-B 125x75x48 TV

Part no.:10.01.12.03170

<https://www.schmalz.com/10.01.12.03170>

Spare Parts



VCSP-O 125x75x16.5

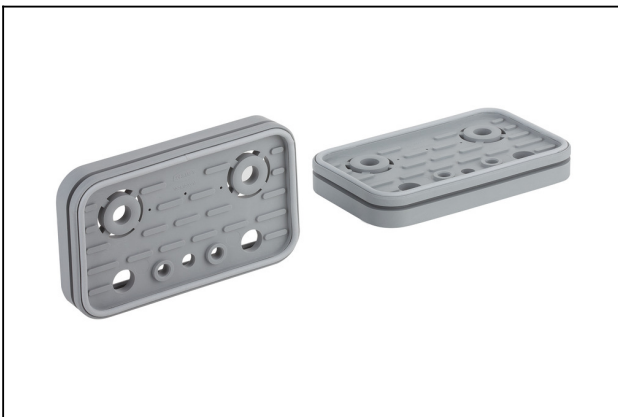
Part no.10.01.12.00011

Suction-Plate for vacuum block, (top)

Dimensions (LxW): 125 x 75 mm

Height H: 16.5 mm

Accessories



VCSP-O 125x75x17.7 MOS

Part no.10.01.12.03511

Suction-Plate for vacuum block, (top)

Dimensions (LxW): 125 x 75 mm

Height H: 17.7 mm

with: Sealing lip with MOS