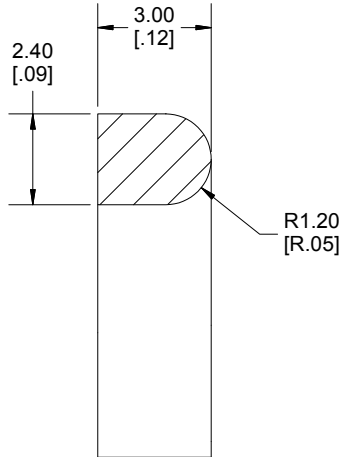
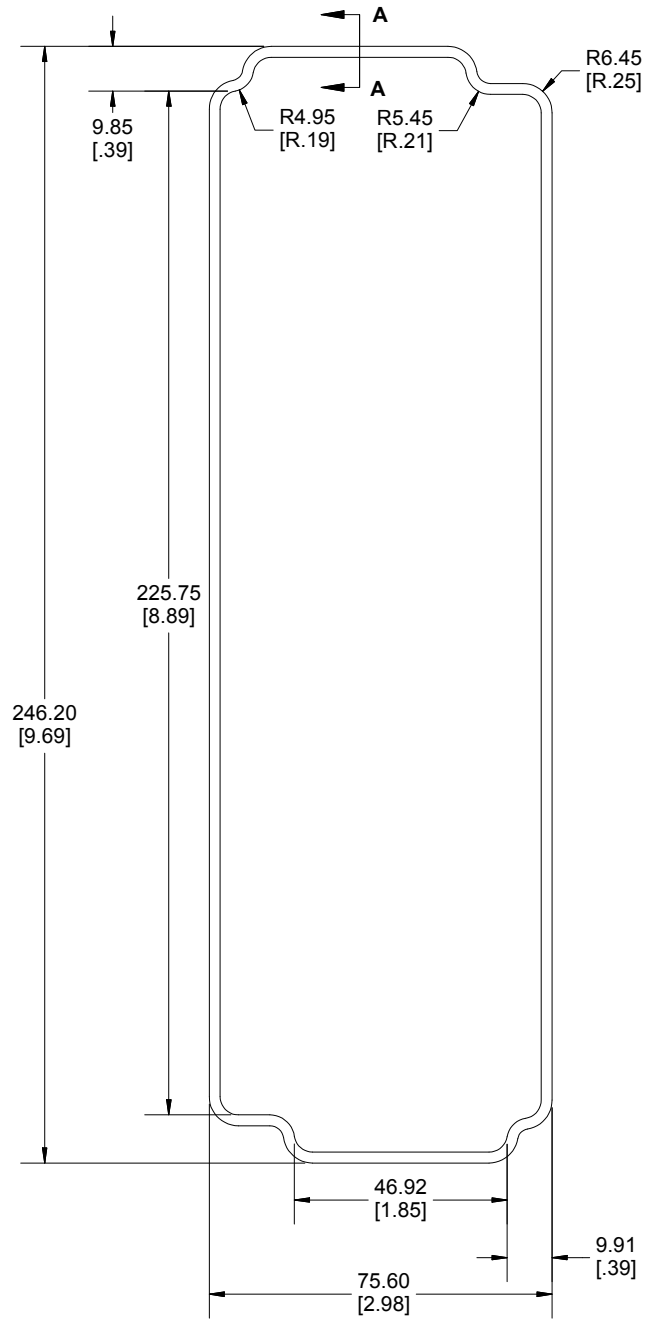



REVISION HISTORY		
REV	DESCRIPTION	DATE (D/M/Y)
0	PFRG140 round gasket	29/11/2017
1	PFRG140 gasket profile change	29/11/2017



SECTION A-A

#	NOTE
1	BR-315713B supplier part number

DWN		 HAMMOND MANUFACTURING CO. LTD. 485 Conestogo Road Waterloo, Ontario, N2L 4C9, Canada
DATE	29/11/2017	
CHK		
MATL		
SHEET		
		THIS DRAWING IS PROPRIETARY INFORMATION OF HAMMOND MFG. CO. LTD. NOT TO BE USED WITHOUT EXPRESSED WRITTEN PERMISSION OF HAMMOND MFG. CO. LTD.
		PFRG140

