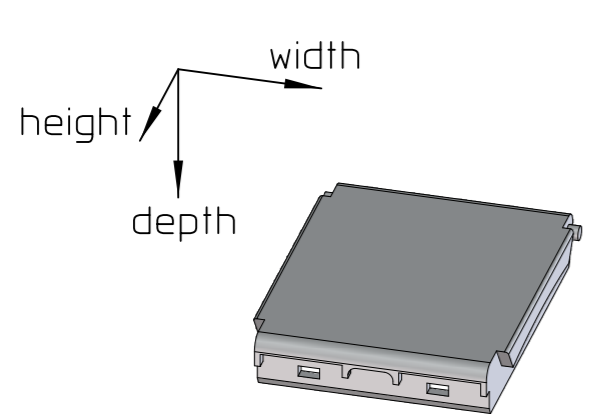
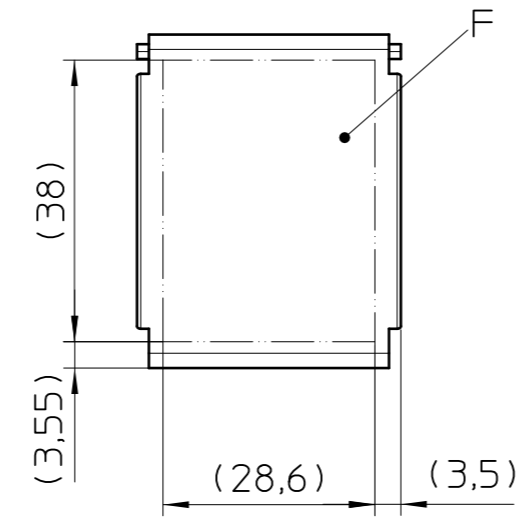
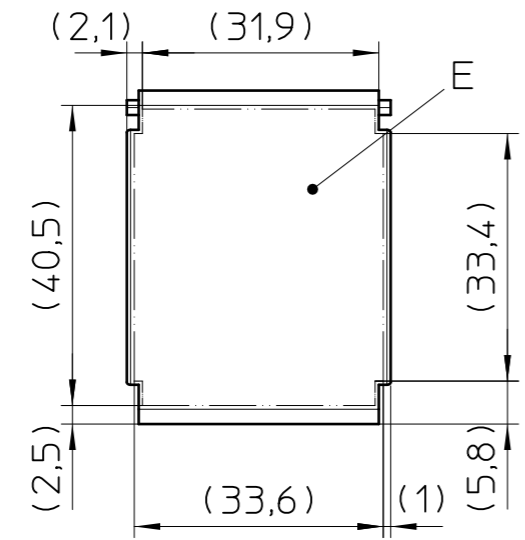
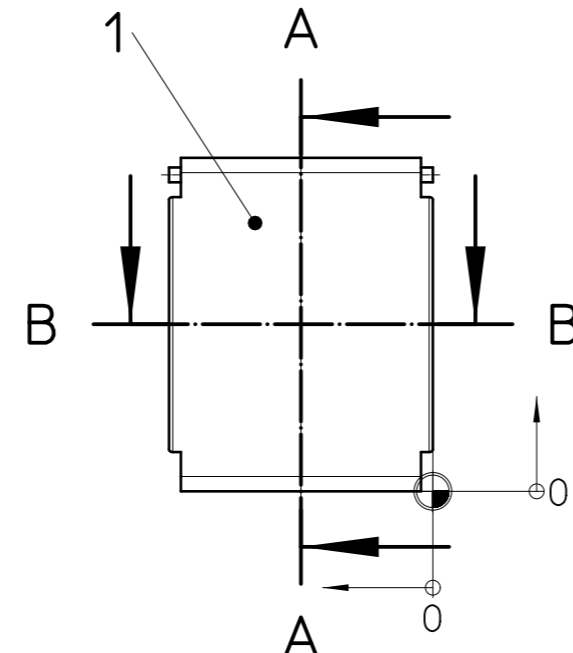
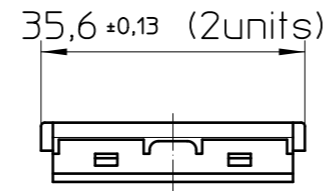
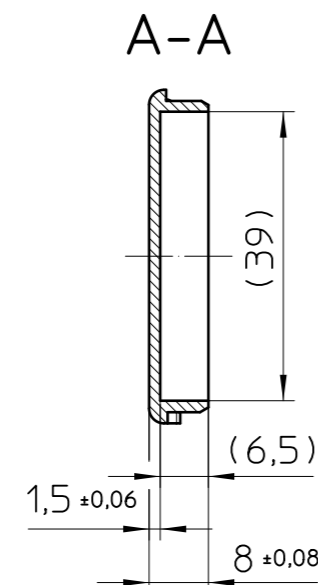
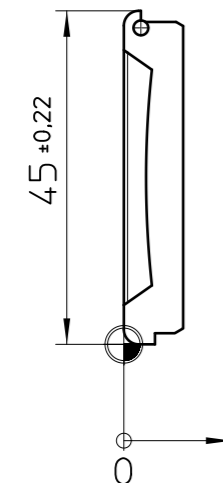


Transfer or duplication of this document as well as the utilisation or communication of its content are not permitted unless express consent is granted. Violations give rise to claims for damages. All rights reserved in case of patent, utility model or design patent registrations. Tolerance specifications do not include clearances inherent in the design.

Weitergabe sowie Vervielfältigung dieses Dokuments, Verwertung und Mitteilung seines Inhalts sind verboten, soweit nicht ausdrücklich gestattet. Zuwiderhandlungen verpflichten zu Schadensersatz. Alle Rechte für den Fall der Patent-, Gebrauchsmuster- oder Designeintragung vorbehalten. Bauartbedingtes Spiel ist in den Toleranzangaben nicht berücksichtigt.

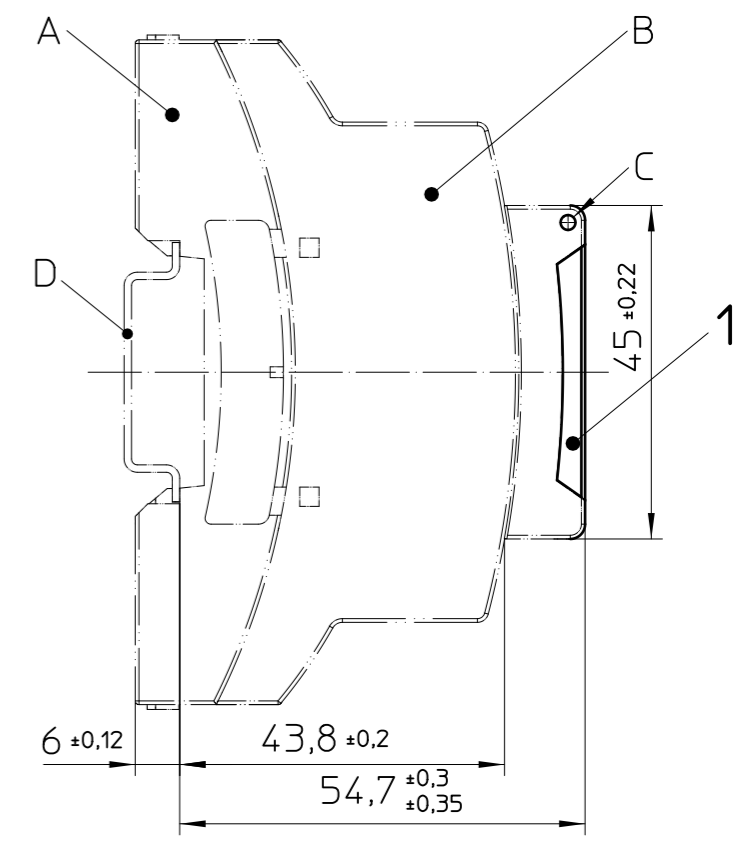


# COVER



# Assembly example

Overall dimensions compliant DIN 43880



- General Information:
- Simplified representation, exemplary shown in gray.
  - Tolerances apply in a normal climate according to DIN EN ISO 291-23/50-2
  - Workpiece zero point for mechanical processing
  - Tolerances for mechanical processing are ISO 2768-mK
  - Tolerances for printing DIN ISO 2768-m
  - Machining radii min. R1, further on request
  - Web: [www.phoenixcontact.com](http://www.phoenixcontact.com)

- Additional Information:
- A. Housing lower part BC 35,6 UT HBUS...
  - B. Housing upper part BC 35,6 OT...
  - C. pivot point
  - D. Mounting rail like EN 60715: TH 35-7,5 or mounting rail TH 35-15x1,5 similar to EN 60715
  - E. Marking area
  - F. Machining area

Pos.	QTY	Description	Material
1	1	COVER	PC

DIN A3 	document-no. / ri	article-no.	scale	<ul style="list-style-type: none"> <li>- Simplified representation</li> <li>- Document excluded from change process</li> <li>- Linear dimensions [mm]</li> </ul>
	00911803 / 04	2896157	1:1	
date	document-type	description		
25.02.2025	TECDOC 2D_Productdrawing	BC 35,6 DKL R KMGY		
page 1	of 1			