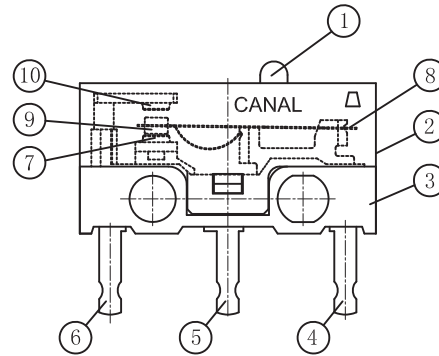
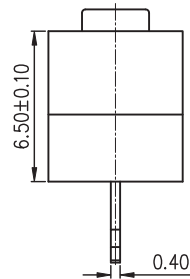
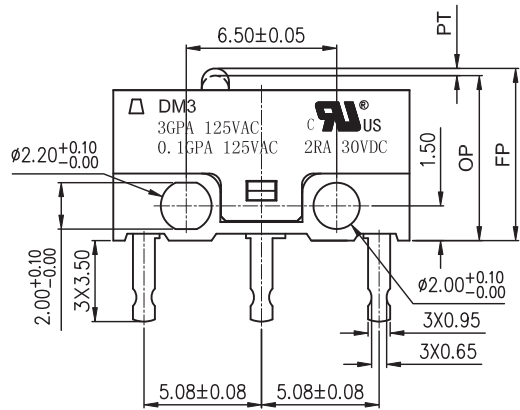
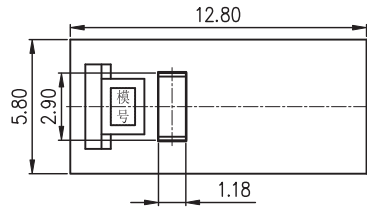


佳尼有限公司 CANAL COMPONENTS INC



ITEM	PART NAME	MATERIAL	Qt'y	FINISH
1	Plunger	PBT	1	White
2	Cover	PBT	1	Black
3	Base	PBT	1	White
4	Com Terminal	C2680R t=0.4	1	Ag Plated
5	No Terminal	C2680R t=0.4	1	Ag Plated
6	Nc Terminal	C2680R t=0.4	1	Ag Plated
7	No Contact	Ag alloy	1	
8	Spring Plate	C1720-HMB	1	
9	Contact	Ag alloy	1	
10	Nc Contact	Ag alloy	1	

CHARACTERISTICS

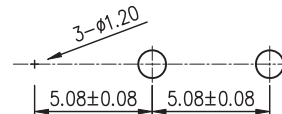
Operating speed	1 to 500 mm / sec (at pin plunger)
Operating frequency	Mechanically : 120 operations / min Electrically : 30 operations / min
Contact resistance	Standard types : 100 mΩ (initial) Micro voltage / current load types : 100 mΩ (initial)
Insulation resistance	100 MΩ min . (at 500 VDC)
Dielectric strength	600 VAC , 50 / 60 Hz for 1 minute between non-continuous terminals 1,000 VAC , 50 / 60 Hz for 1 minute between non-current carrying part and terminals and between current carrying part and ground
Vibration	Vibration frequency range : 10~55 Hz Total amplitude : 1.5mm
Shock	Acceleration : 295 m / s ² (30 G)
Ambient temperature	Operating : - 25 °C to + 85 °C
Humidity	85% RH max
Service life	Mechanically :200,000 operations min. (at rated OT value)
Weight	Approx : 0.70 g

技术要求:

- 1、未注尺寸公差为±0.10mm。
- 2、未注角度公差为±1.00°。

CHARACTERISTICS	ELECTRICAL DATA
OPERATING FORCE ----- 250 gf Max	CONTACT ARRANGEMENT S P D T
RELEASE FORCE ----- 50 gf min	DM3
FREE POSITION ----- 7.8mm Max	3GPA 125VAC C RA 30VDC
OPERATING POSITION ----- 7.00±0.30mm	0.1GPA 125VAC 2RA 30VDC
PRE TRAVEL ----- 1.00mm Max	CANAL
OVERTRAVEL ----- 0.2mm Min	3A 125/250VAC 2A 30VDC
	0.1A 125/250VAC 40T85 μ 3E4

PCB Terminals Mounting Hole Dimensions



REVISION	DESCRIPTION	REVISED BY	TOLEANCES .X .XX	ANGLE 1/2	UNIT	mm	PART NAME	SPEC DRAWING	DWG NO
△			DRAWN BY	Eric T	DESIGNED BY	王豐文	SCALE		WS4742A
△			CHECKED BY	Jimmy	APPROVED BY		DATE	2021.05.10	
△	2021.05.10 首次出圖	Eric T					PART NO	DM3-1501AZ	