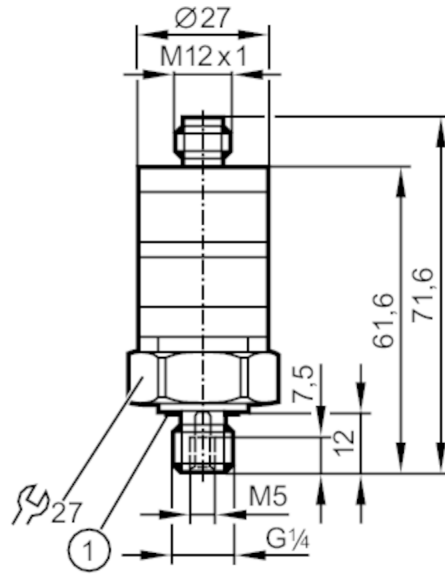


PK6521



Pressure switch with intuitive switch point setting

PK-250-SFG14-HCPKG/US/ IW



1 Sealing



Product characteristics

Number of inputs and outputs	Number of digital outputs: 2	
Measuring range	0...250 bar	0...3625 psi
Process connection	threaded connection G 1/4 external thread internal thread:M5	

Application

Application	for industrial applications	
Media	liquids and gases	
Medium temperature [°C]	-25...80	
Min. bursting pressure	1000 bar	14500 psi
Min. bursting pressure [MPa]	100	
Pressure rating	400 bar	5800 psi
Pressure rating [MPa]	40	
Type of pressure	relative pressure	

Electrical data

Operating voltage [V]	9.6...32 DC	
Current consumption [mA]	< 25	
Min. insulation resistance [MΩ]	100; (500 V DC)	
Protection class	III	
Reverse polarity protection	yes	

Inputs / outputs

Number of inputs and outputs	Number of digital outputs: 2	
------------------------------	------------------------------	--

Outputs

Total number of outputs	2	
Output signal	switching signal	
Electrical design	PNP	

PK6521



Pressure switch with intuitive switch point setting

PK-250-SFG14-HCPKG/US/ IW

Number of digital outputs	2
Output function	complementary
Max. voltage drop switching output DC [V]	2
Permanent current rating of switching output DC [mA]	500
Switching frequency DC [Hz]	100
Short-circuit protection	yes
Type of short-circuit protection	pulsed
Overload protection	yes

Measuring/setting range

Measuring range	0...250 bar	0...3625 psi
Set point SP	12.5...250 bar	181...3625 psi
Reset point rP	7.5...245 bar	109...3553 psi

Accuracy / deviations

Switch point accuracy [% of the final value]	< ± 2,5; (Setting accuracy)	
Repeatability [% of the final value]	< ± 0,5; (with temperature fluctuations < 10 K)	
Characteristics deviation [% of the final value]	< ± 1,5 (BFSL) / < ± 2,5 (LS); (BFSL = Best Fit Straight Line; LS = limit value setting)	
Temperature drift per 10 K	< ± 0.5	

Software / programming

Adjustment of the switch point	setting rings
--------------------------------	---------------

Operating conditions

Ambient temperature [°C]	-25...80
Storage temperature [°C]	-40...100
Protection	IP 67

Tests / approvals

EMC	DIN EN 61000-6-2	
	DIN EN 61000-6-3	
Shock resistance	DIN IEC 68-2-27	50 g (11 ms)
Vibration resistance	DIN IEC 68-2-6	20 g (10...2000 Hz)
MTTF [years]	450	
Pressure Equipment Directive	Sound engineering practice; can be used for group 2 fluids; group 1 fluids on request	

Mechanical data

Weight [g]	95
Housing	cylindrical
Dimensions [mm]	Ø 27 / L = 71.6
Materials	PBT; PC; FKM; stainless steel (316L/1.4404)
Materials (wetted parts)	stainless steel (316L/1.4404); FKM
Min. pressure cycles	50 million
Tightening torque [Nm]	25
Process connection	threaded connection G 1/4 external thread internal thread:M5

PK6521



Pressure switch with intuitive switch point setting

PK-250-SFG14-HCPKG/US/ IW

Restrictor element integrated	no (can be retrofitted)
-------------------------------	-------------------------

Displays / operating elements

Display	operation	LED, green
	switching status	LED, yellow
With scale	yes	

Remarks

Pack quantity	1 pcs.
---------------	--------

Electrical connection

Connector: 1 x M12; coding: A



Connection

