



Relays, Contactors & Switches > Switches > Rocker Switches



Switch Type: **Rocker/Paddle Actuator**

Mounting Type: **Panel**

Indicator/Imprint Legend: **None**

Panel Cutout Size: **30.2 x 22.2 mm [ 1.19 x .874 in ]**

Switch Contact Plating Material: **Silver Tin Oxide**

## Features

### Product Type Features

Product Type	Switch
Switch Type	Rocker/Paddle Actuator
Lamp	With
LED	Without
Actuator Type	Top
Actuator Style	Rocker

### Configuration Features

Indicator/Imprint Legend	None
Panel Cutout Size	30.2 x 22.2 mm[1.19 x .874 in]
Configuration (Pole-Throw)	Double Pole - Single Throw
Operating Function	On Off

### Electrical Characteristics

Voltage Rating	125 VAC, 250 VAC
----------------	------------------

### Body Features

Lens Color	Red
Beveled Frame Color	Black
Body Color	Black
Actuator Color	Black

### Contact Features

--	--

Terminal Tab Width	6.35 mm[.25 in]
Switch Contact Plating Material	Silver Tin Oxide
Contact Current Rating	10 A, 16 A

### Termination Features

Termination Type	Quick Connect
------------------	---------------

### Mechanical Attachment

Mounting Angle	Vertical
Mounting Type	Panel

### Housing Features

Process Sealed	No
----------------	----

### Industry Standards

VDE Tested	Yes
------------	-----

### Other

Comment	Dust Resistant., Lamp-Illuminated Rocker Button.
---------	--

## Product Compliance

[For compliance documentation, visit the product page on TE.com>](#)

EU RoHS Directive 2011/65/EU	Compliant
EU ELV Directive 2000/53/EC	Compliant
China RoHS 2 Directive MIIT Order No 32, 2016	No Restricted Materials Above Threshold
EU REACH Regulation (EC) No. 1907/2006	Current ECHA Candidate List: JUL 2019 (201) Candidate List Declared Against: DEC 2014 (161) Does not contain REACH SVHC
EU REACH Regulation (EC) No. 1907/2006	Current ECHA Candidate List: JUL 2019 (201) Candidate List Declared Against: DEC 2014 (161)
Halogen Content	Not Yet Reviewed for halogen content
Solder Process Capability	Not applicable for solder process capability

#### Product Compliance Disclaimer

This information is provided based on reasonable inquiry of our suppliers and represents our current actual knowledge based on the information they provided. This information is subject to change. The part numbers that TE has identified as EU RoHS compliant have a maximum concentration of 0.1% by weight in homogenous materials for lead, hexavalent

chromium, mercury, PBB, PBDE, DBP, BBP, DEHP, DIBP, and 0.01% for cadmium, or qualify for an exemption to these limits as defined in the Annexes of Directive 2011/65/EU (RoHS2). Finished electrical and electronic equipment products will be CE marked as required by Directive 2011/65/EU. Components may not be CE marked. Additionally, the part numbers that TE has identified as EU ELV compliant have a maximum concentration of 0.1% by weight in homogenous materials for lead, hexavalent chromium, and mercury, and 0.01% for cadmium, or qualify for an exemption to these limits as defined in the Annexes of Directive 2000/53/EC (ELV). Regarding the REACH Regulations, TE's information on SVHC in articles for this part number is still based on the European Chemical Agency (ECHA) 'Guidance on requirements for substances in articles' (Version: 2, April 2011), applying the 0.1% weight on weight concentration threshold at the finished product level. TE is aware of the European Court of Justice ruling of September 10th, 2015 also known as O5A (Once An Article Always An Article) stating that, in case of 'complex object', the threshold for a SVHC must be applied to both the product as a whole and simultaneously to each of the articles forming part of its composition. TE has evaluated this ruling based on the new ECHA "Guidance on requirements for substances in articles" (June 2017, version 4.0) and will be updating its statements accordingly.

## Compatible Parts



TE Model / Part # 1-1634201-2  
PRFDD3-16F-BB0GW



TE Model / Part # 1634201-1  
PRFDA1-16F-BB000



TE Model / Part # 1634201-2  
PRFDA1-16F-BB0BW



TE Model / Part # 1634201-3  
PRFDA1-16F-BB0CW



TE Model / Part # 1634201-5  
PRFDB1-16F-BG000



TE Model / Part # 1634201-6  
PRFDB1-16F-BY000

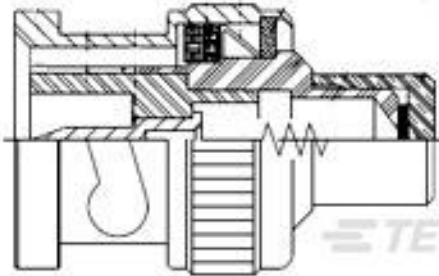


TE Model / Part # 1634201-7  
PRFDD1-16F-BB000

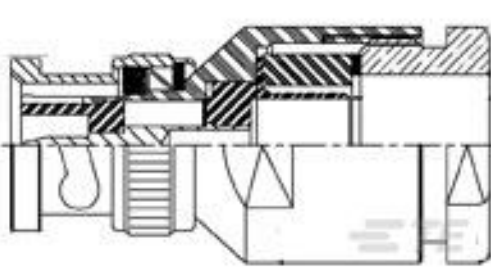
## Customers Also Bought



TE Model / Part #8-1393163-4  
MT78745



TE Model / Part #1-1337463-0  
BNC Plg Term 50Ohm Silver Pltd



TE Model / Part #1-1478402-0  
BNC Str Plg PS 50Ohm Silver RG174A /U, 18



TE Model / Part #1-1634201-2  
PRFDD3-16F-BB0GW



## Documents

### Product Drawings

[PRFDB1-16F-BR000](#)

English

### CAD Files

[3D PDF](#)

3D

Customer View Model

[ENG\\_CVM\\_CVM\\_1634201-4\\_D.2d\\_dxf.zip](#)

English

Customer View Model

[ENG\\_CVM\\_CVM\\_1634201-4\\_D.3d\\_igs.zip](#)

English

Customer View Model

[ENG\\_CVM\\_CVM\\_1634201-4\\_D.3d\\_stp.zip](#)

English

By downloading the CAD file I accept and agree to the [Terms and Conditions](#) of use.

### Datasheets & Catalog Pages

[SWITCHES\\_CORE\\_PROGRAM\\_CATALOG](#)

English