

CHARX ET2C-1AC20-10,0MES00P - AC charging cable



1526061

<https://www.phoenixcontact.com/gb/products/1526061>

Please be informed that the data shown in this PDF document is generated from our online catalog. Please find the complete data in the user documentation. Our general terms of use for downloads are valid.



CHARX connect eco, Type 2, AC charging cable, 20 A permanent, 250 V AC, with vehicle charging connector and open cable end, cable: 10 m, black, straight, with protective cap, PHOENIX CONTACT logo, NOTE: Signal transmission is dependent on the cable length and may be adversely affected., IEC 62196-2, for charging electric vehicles (EV) with alternating current (AC)

Product description

AC charging cable with vehicle charging connector and free cable end for charging electric vehicles (EV) with alternating current (AC) via type 2 vehicle charging inlets, for installation at charging stations for e-mobility (EVSE)

Your advantages

- Complete product range
- Convenient handling due to the ergonomic, triple award-winning design
- Available with your logo on request - for consistent branding of your charging station
- Longitudinal water tightness reliably prevents water ingress
- Developed and produced in accordance with the IATF 16949 automotive standard and ISO 9001
- Tested in accordance with automotive standards LV124, LV214, and LV215-2
- Tested in accordance with EV Ready 37 requirements
- Laser-marked mating face in accordance with DIN EN 17186

Commercial data

Item number	1526061
Packing unit	3 pc
Minimum order quantity	60 pc
Sales key	XWBDLA
Product key	XWBDLA
GTIN	4063151995218
Weight per piece (including packing)	1,001 g
Weight per piece (excluding packing)	1,001 g
Customs tariff number	85444290
Country of origin	PL

CHARX ET2C-1AC20-10,0MES00P - AC charging cable



1526061

<https://www.phoenixcontact.com/gb/products/1526061>

Technical data

Product properties

Product type	AC charging cable
Product family	CHARX connect eco
Type	AC charging cable with vehicle charging connector and open cable end
Design	with protective cap
Charging standard	Type 2
Charging mode	Mode 3, Case C
Affixed logo	PHOENIX CONTACT logo
Customer variations	On request

Electrical properties

Charging power and current (AC charging, 1-phase)

Type of charging current	AC single-phase
Charging current	20 A AC (1-phase)
Charging power	5 kW (1-phase)
Operating voltage	typ. 230 V AC

Pin assignment (Power contacts)

Note on the connection method	Crimp connection, cannot be disconnected
Number	3 (L1, N, PE)
Rated voltage	250 V AC
Rated current	20 A

Pin assignment (Signal contacts)

Note on the connection method	Crimp connection, cannot be disconnected
Type of signal transmission	Pulse width modulation
Number	2 (CP, PP)
Rated voltage	30 V AC
Rated current	2 A
Coding	680 Ω (between PE and PP)

Dimensions

Vehicle charging connector

Dimensional drawing	 Vehicle connector
Width	70.4 mm

CHARX ET2C-1AC20-10,0MES00P - AC charging cable



1526061

<https://www.phoenixcontact.com/gb/products/1526061>

Height	82.3 mm
Depth	201.8 mm

Material specifications

Color (Housing)	black (9005)
Color (Handle area)	black (9005)
Color (Mating face)	black (9005)
Color (Protective cap)	black (9005)
Color (Cable)	black (9005)
Material (Vehicle charging connector)	Plastic
Material (Cable outer sheath)	TPE-U
Material (Contact surface)	Silver
Note	The color appearance and gloss level of the charging cable may vary.

Cable/line

Cable length	10 m
Wiring standards/regulations	prEN 50620/DIN EN 50620
Wiring certifications	VDE
Cable weight	max. 128.00 kg/km
Cable type	Class 5
Cable type	straight
Cable structure	3 x 1.5 mm ² + 1 x 0.5 mm ²
External cable diameter	9.60 mm ±0.3 mm
Outer sheath, material	TPE-U
Cable resistance	≤ 0.011324 Ω/m (based on a power core, at an ambient temperature of 20°C)
Bending radius	min. 76.8 mm (8x diameter)

Mechanical properties

Mechanical data

Insertion/withdrawal cycles	> 10000
Insertion force	< 100 N
Withdrawal force	< 100 N

Environmental and real-life conditions

Ambient conditions

Degree of protection (Vehicle charging connector)	IP44 (plugged in; when plugged in and ready to operate, the degree of protection is only ensued if both plug-in components are original products from Phoenix Contact or suitable standard-compliant products)
Degree of protection (Protective cap)	IP54
Ambient temperature (operation)	-40 °C ... 50 °C
Ambient temperature (storage/transport)	-40 °C ... 80 °C
Altitude	max. 5000 m (above sea level)

CHARX ET2C-1AC20-10,0MES00P - AC charging cable



1526061

<https://www.phoenixcontact.com/gb/products/1526061>

Standards and regulations

Connection in accordance with standard

Normative cable length restrictions	NOTE: Signal transmission is dependent on the cable length and may be adversely affected.
	The cable capacity must therefore be assessed in the overall system of the charging station and must not exceed 3100 pF (IEC 61851-1, Annex A, Table A.2, Note d).
	Interference-free V2G communication in accordance with ISO 15118 is not guaranteed for cable lengths over 10 m (ISO IEC 15118-3, A.11.3, Table A.11).
	Cable management is required in the US if the cable length exceeds 7.5 m (IEC 61851-1).
Standards/specifications	IEC 62196-2
Note	Compliant with AFIR - EU 2025/656

CHARX ET2C-1AC20-10,0MES00P - AC charging cable

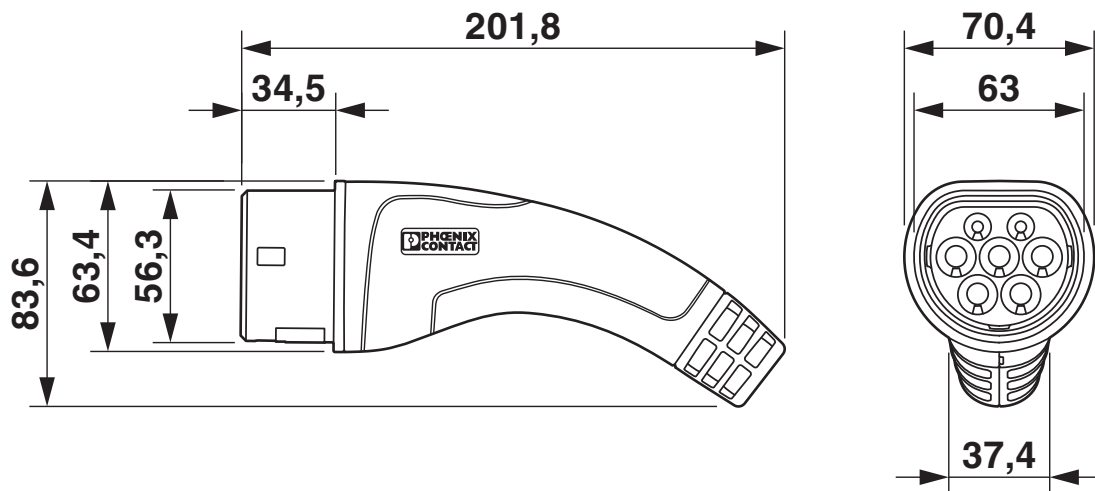


1526061

<https://www.phoenixcontact.com/gb/products/1526061>

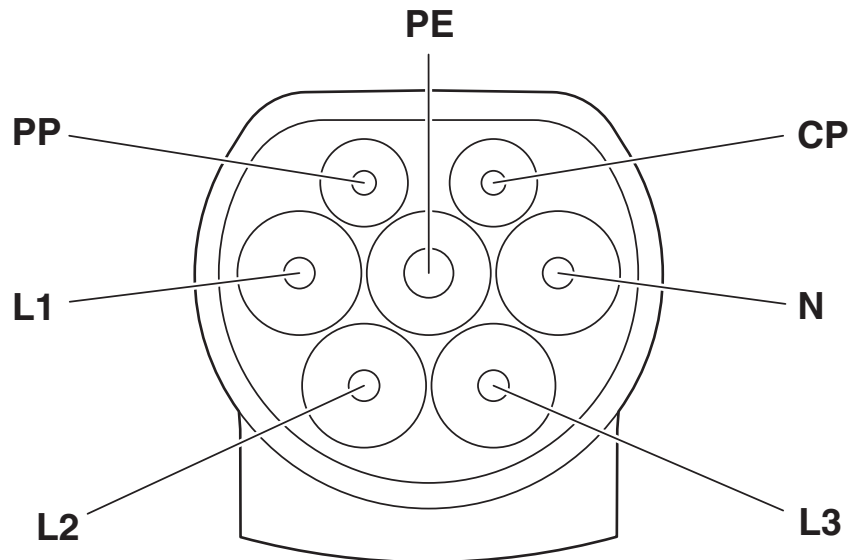
Drawings

Dimensional drawing



Vehicle connector

Connection diagram



Pin assignment of Infrastructure Plug

CHARX ET2C-1AC20-10,0MES00P - AC charging cable

1526061

<https://www.phoenixcontact.com/gb/products/1526061>

Schematic diagram



Operating instructions

CHARX ET2C-1AC20-10,0MES00P - AC charging cable

1526061

<https://www.phoenixcontact.com/gb/products/1526061>

Schematic diagram



Pin assignment of the Vehicle Connector

Schematic diagram



Terminology definition

CHARX ET2C-1AC20-10,0MES00P - AC charging cable




1526061

<https://www.phoenixcontact.com/gb/products/1526061>

Approvals

To download certificates, visit the product detail page: <https://www.phoenixcontact.com/gb/products/1526061>

 IECEE CB Scheme Approval ID: SG PSB-EH-00034A1		Nominal voltage U_N	Nominal current I_N	Cross section AWG	Cross section mm^2
keine		250 V	20 A	-	-

CHARX ET2C-1AC20-10,0MES00P - AC charging cable



1526061

<https://www.phoenixcontact.com/gb/products/1526061>

Classifications

ECLASS

ECLASS-13.0	27144705
ECLASS-15.0	27144705

ETIM

ETIM 10.0	EC002897
-----------	----------

UNSPSC

UNSPSC 21.0	39121500
-------------	----------

CHARX ET2C-1AC20-10,0MES00P - AC charging cable



1526061

<https://www.phoenixcontact.com/gb/products/1526061>

Environmental product compliance

EU RoHS

Fulfills EU RoHS substance requirements	Yes
Exemption	6(c)

China RoHS

Environment friendly use period (EFUP)	EFUP-50
	An article-related China RoHS declaration table can be found in the download area for the respective article under "Manufacturer declaration". For all articles with EFUP-E, no China RoHS declaration table issued and required.

EU REACH SVHC

REACH candidate substance (CAS No.)	Lead(CAS: 7439-92-1)
SCIP	38def04b-c28a-48f3-9a3b-85b449a1eceb

EF3.1 Climate Change

CO2e kg	42.63 kg CO2e
---------	---------------

Phoenix Contact 2026 © - all rights reserved
<https://www.phoenixcontact.com>

PHOENIX CONTACT Ltd
Halesfield 13, Telford
Shropshire, TF7 4PG
01952 681700
info@phoenixcontact.co.uk