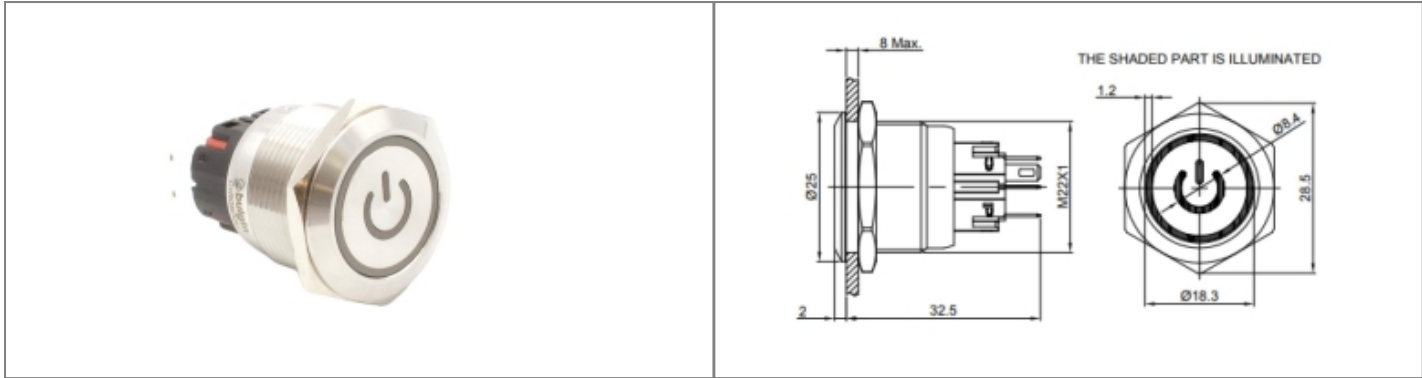


Product Name // MP22SLPINRB012A5 Power Symbol Illumination Vandal Resistant Switch

[View Product Page](#)



// Product Description:

- ⬢ MP22 Range
- ⬢ Blue
- ⬢ SPDT
- ⬢ 12V
- ⬢ Latching
- ⬢ AL alloy Black
- ⬢ Power Symbol Illumination
- ⬢ IP65

// General Information:

<p>Product Display Title:</p> <p>Product Family:</p> <p>Product Series:</p> <p>Bezel Finish:</p> <p>Body Colour:</p> <p>Body Material:</p> <p>Body Material Type:</p> <p>Current Rating:</p> <p>Diameter:</p> <p>Dielectric Withstanding Voltage:</p> <p>Durability:</p> <p>Function:</p> <p>Illumination Colour:</p> <p>Illumination Shape:</p> <p>Illumination Voltage:</p> <p>Ip Rating:</p> <p>Lamp Type:</p> <p>Material Finish:</p> <p>Max Operating Temperature:</p> <p>Min Operating Temperature:</p> <p>Max Panel Thickness:</p> <p>Operating Humidity:</p> <p>Panel Cut Out:</p> <p>Rohs Compliant:</p> <p>Switch Body Colour:</p> <p>Switch Body Material:</p> <p>Switch Button Colour:</p> <p>Switch Button Material:</p> <p>Switch Circuit:</p> <p>Switch Series:</p> <p>Switch Shape:</p> <p>Switch Type:</p> <p>Switching Type:</p> <p>Thread Size:</p>	<p>Power Symbol Illumination Vandal Resistant Switch</p> <p>Switch Range</p> <p>Vandal Resistant Switches</p> <p>Gloss</p> <p>Black</p> <p>Aluminium</p> <p>Metal</p> <p>5A 250V</p> <p>22mm</p> <p>1500V</p> <p>50,000</p> <p>Push Button Switch</p> <p>Blue</p> <p>Power Symbol</p> <p>12V</p> <p>IP65</p> <p>LED</p> <p>Gloss</p> <p>55°C</p> <p>-25°C</p> <p>8mm</p> <p>45~85 RH(Non condensing)</p> <p>22mm Diameter circle</p> <p>Yes</p> <p>Black</p> <p>Aluminium</p> <p>Black</p> <p>Aluminium</p> <p>SPDT</p> <p>MP22</p> <p>Round</p> <p>Pushbutton</p> <p>Latching</p> <p>M22</p>
--	---

// Product PDF Links

[22mm Vandal Resistant Switch](#)

// Product 3D CAD Model Links

[MP22SLPINRB012A53D CAD Model](#)