

## Vacuum block

### VCBL-K2 140x115x50

Part no.:10.01.12.00626

<https://www.schmalz.com/10.01.12.00626>

Homepage > Vacuum Clamping Technology > Clamping Equipment for Woodworking > Clamping Equipment for 2-Circuit Systems > Vacuum Blocks VCBL-K2 > VCBL-K2 140x115x50

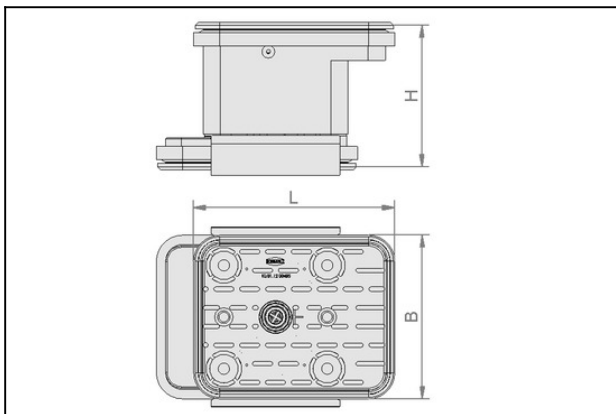
## Vacuum block for Schmalz 2-circuit console



Dimensions (LxW): 140 x 115 mm

Height H: 50 mm

## Design Data



Attribute	Value
B	115 mm
H	50 mm
H2	17 mm
L	140 mm
L1	170 mm
L2	26 mm

## Technical Data

Attribute	Value
Weight	0.6 kg

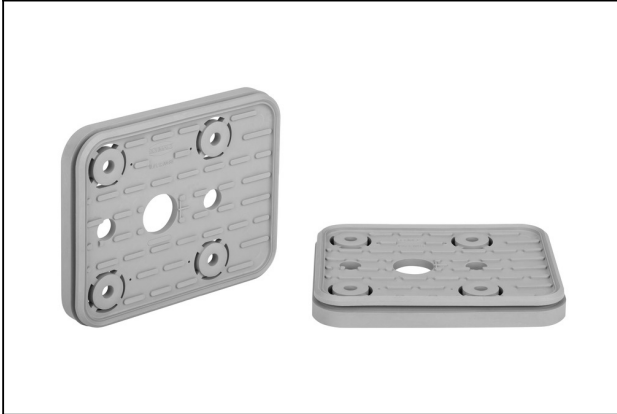
## Vacuum block

VCBL-K2 140x115x50

Part no.:10.01.12.00626

<https://www.schmalz.com/10.01.12.00626>

### Spare Parts



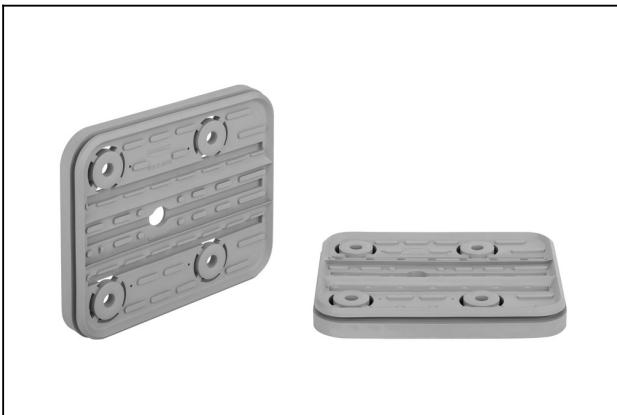
#### **VCSP-O 140x115x16.5**

Part no.10.01.12.00488

Suction-Plate for vacuum block, (top)

Dimensions (LxW): 140 x 115 mm

Height H: 16.5 mm



#### **VCSP-U 140x115x16.5 VCBL-K2**

Part no.10.01.12.00798

Suction plate for vacuum block bottom

Dimensions (LxW): 140 x 115 mm

Height H: 16.5 mm

for: Vacuum block VCBL-K2