

Transfer or duplication of this document as well as the utilisation or communication of its content are not permitted unless express consent is granted. Violations give rise to claims for damages. All rights reserved in case of patent, utility model or design patent registrations. Tolerance specifications do not include clearances inherent in the design.

Weitergabe sowie Vervielfältigung dieses Dokuments, Verwertung und Mitteilung seines Inhalts sind verboten, soweit nicht ausdrücklich gestattet. Zuwiderhandlungen verpflichten zu Schadenersatz. Alle Rechte für den Fall der Patent-, Gebrauchsmuster- oder Designeintragung vorbehalten. Bauartbedingtes Spiel ist in den Toleranzangaben nicht berücksichtigt.

1

2

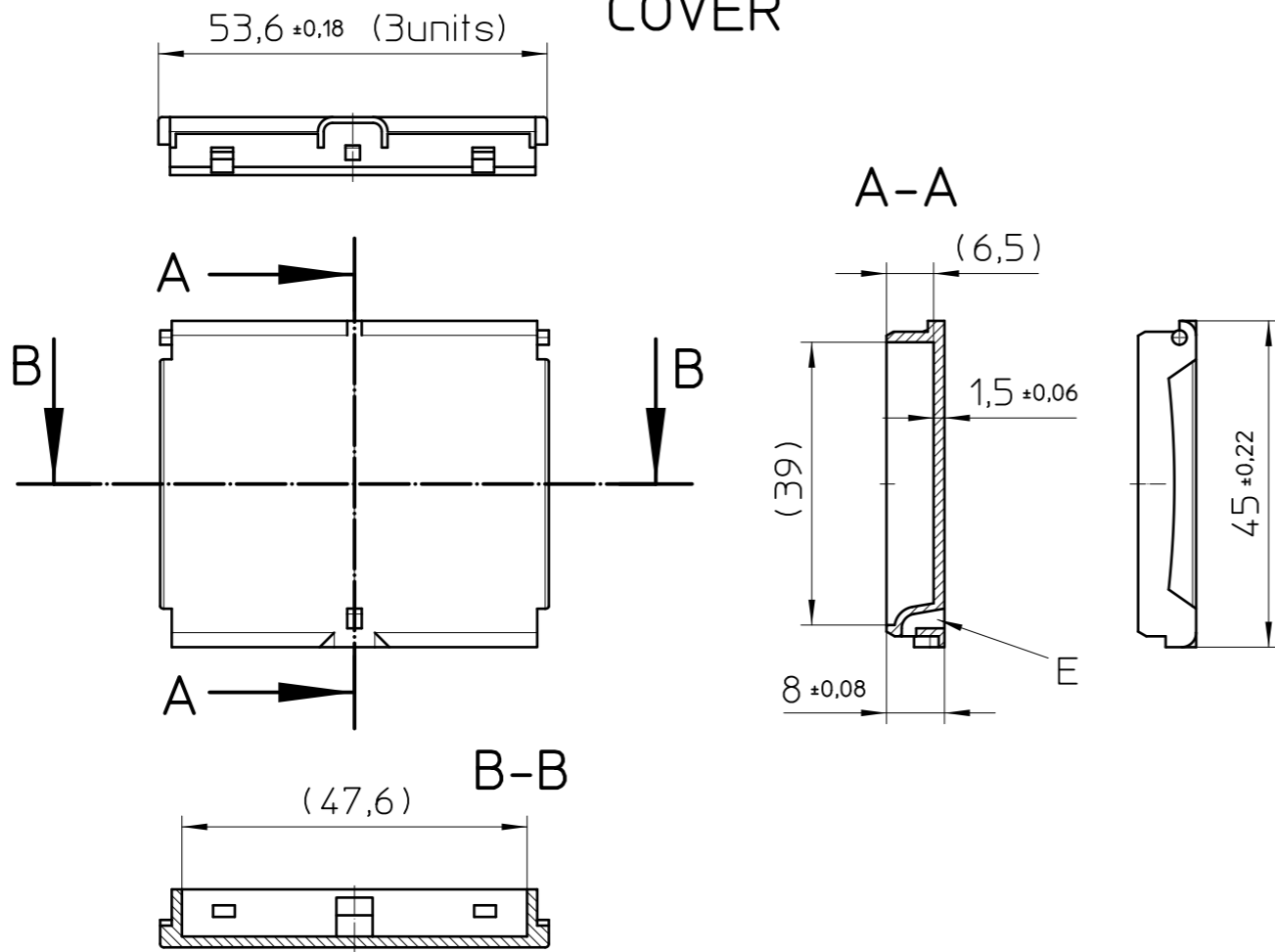
3

4

5

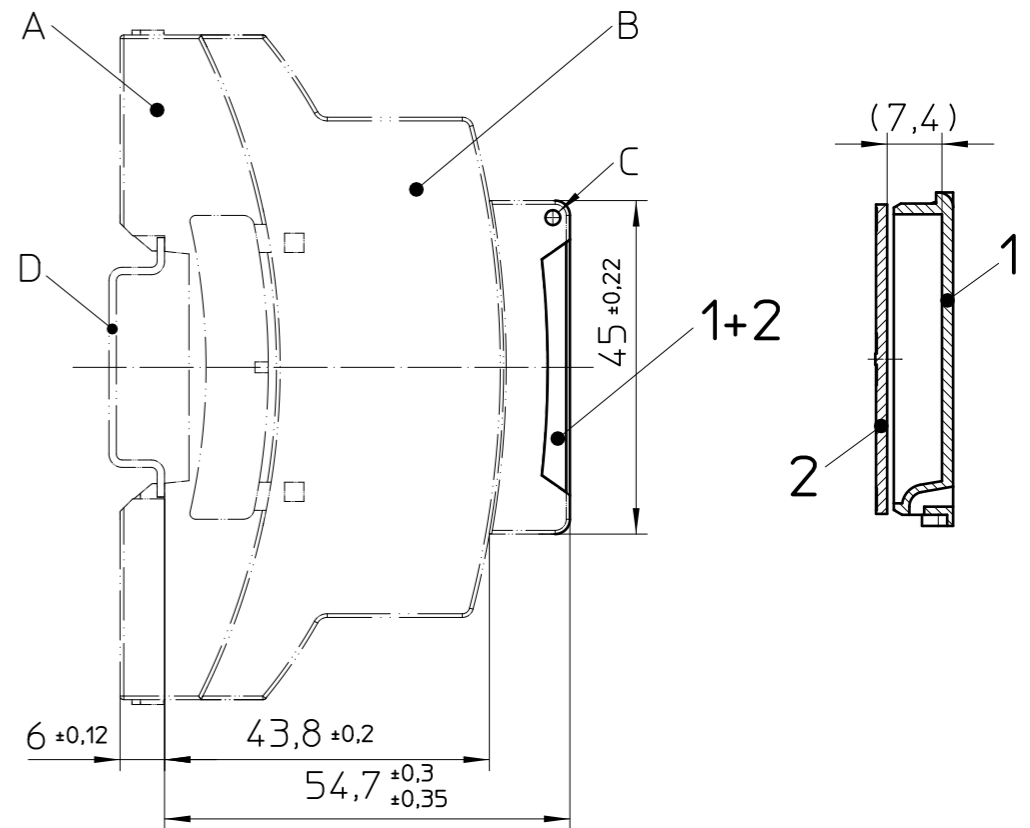
6

COVER

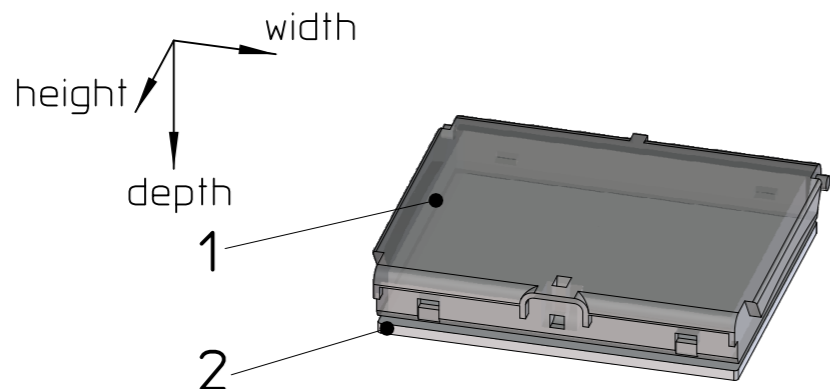
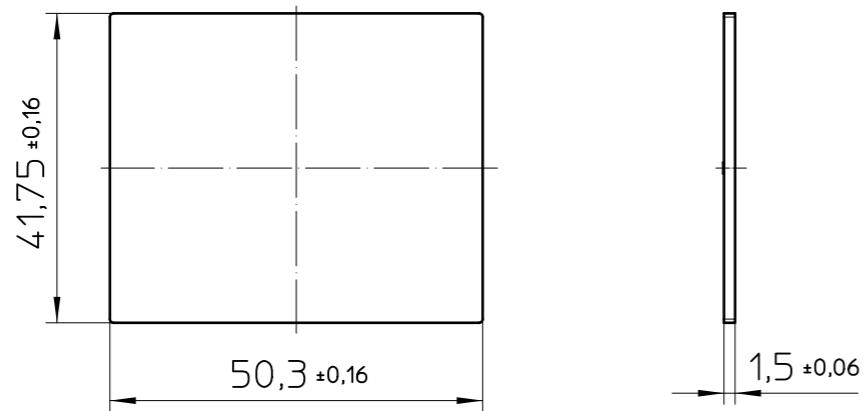


Assembly example

Overall dimensions complaint DIN 43880



PLATE



General information:

- Simplified representation, exemplary shown in gray.
- Tolerances apply in a normal climate according to DIN EN ISO 291-23/50-2
- Further information: www.phoenixcontact.com

Additional information:

- A. Housing lower part BC 53,6 UT HBUS...
- B. Housing upper part BC 53,6 OT...
- C. pivot point
- D. Mounting rail like EN 60715: TH 35-7,5 or mounting rail TH 35-15x1,5 similar to EN 60715
- E. Hole for sealing

KIT (not mounted)			
Pos.	QTY	Description	Material
1	1	COVER	PC
2	1	PLATE	PC

	document-no. / ri	article-no.	scale	<ul style="list-style-type: none"> - Simplified representation - Document excluded from change process - Linear dimensions [mm]
	00910353 / 03	2896445	1:1	
	date	document-type	description BC 53,6 DKL S TRANS	
	25.02.2025	TECDOC 2D_Productdrawing		
page 1	of 1			

1

2

3

4

5

6