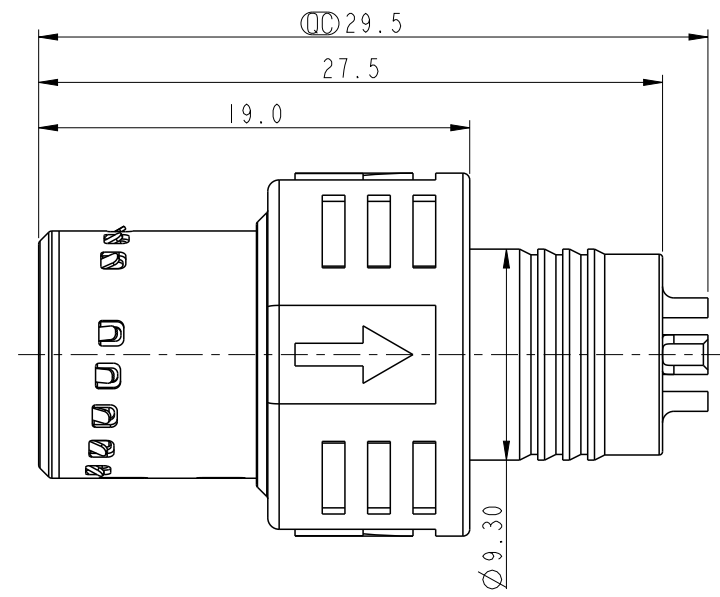
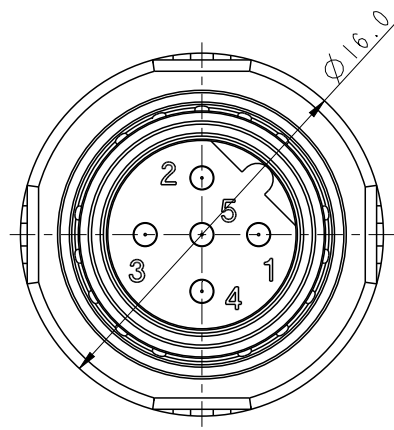


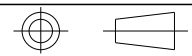
THIS DOCUMENT IS SUBJECT TO CHANGE WITHOUT NOTICE. IT IS CONFIDENTIAL AND A PROPERTY OF AMPHENOL LTW. DISCLOSURE TO THIRD PARTY HAS TO BE AUTHORIZED BY AMPHENOL LTW.

REV.	ECN NO.	DATE	SIGN	DESCRIPTION
A		2021-05-19	Sam Ho	Rev.01 to A, Initial Released



Note:
 * RoHS Compliant
 * \varnothing Important Dimension
 * Connector
 Housing: Thermoplastic, Black
 Pin: Copper Alloy, Gold plated
 Shield: Metal
 Slider: Thermoplastic, Black

UNIT: mm



TOLERANCE	
.X	±0.25
.XX	±0.1
.XXX	±0.05
ANGLES	±1°

TITLE ACC, SEN, B Code, SOLDER M12 B			
SCALE 3:1	SIZE A4	SHEET 1 OF 1	
REV. A	WC-REV.	\varnothing : Inspection item	

Amphenol LTW
 安費諾亮泰企業股份有限公司

ITEM NO. APPM-A05MAPAN-BS1	DRAWN BY Sam Ho	DATE 2021-05-19
DWG NO. APPM-A05MAPAN-BS1	CHECKED BY Fred Lee	DATE 2021-05-19
CUSTOMER ALTW	APPROVED BY Fred Lee	DATE 2021-05-19