

Vacuum block

VCBL-K1 140x115x125

Part no.:10.01.12.02363

<https://www.schmalz.com/10.01.12.02363>

Homepage > Vacuum Clamping Technology > Clamping Equipment for Woodworking > Clamping Equipment for 1-Circuit Systems > Vacuum Blocks VCBL-K1 > VCBL-K1 140x115x125

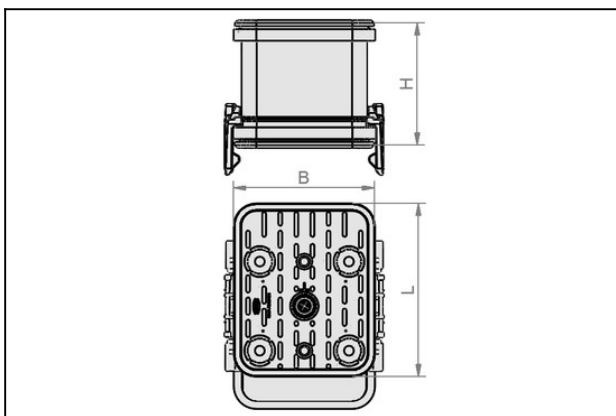
Vacuum block for Schmalz 1-circuit console



Dimensions (LxW): 140 x 115 mm

Height H: 125 mm

Design Data



Attribute	Value
B	115 mm
B1	129 mm
H	125 mm
H2	104 mm
L	140 mm
L1	166 mm

Technical Data

Attribute	Value
Weight	1.036 kg

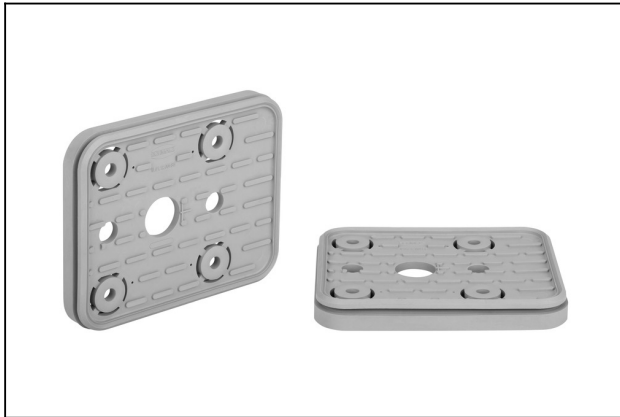
Vacuum block

VCBL-K1 140x115x125

Part no.:10.01.12.02363

<https://www.schmalz.com/10.01.12.02363>

Spare Parts



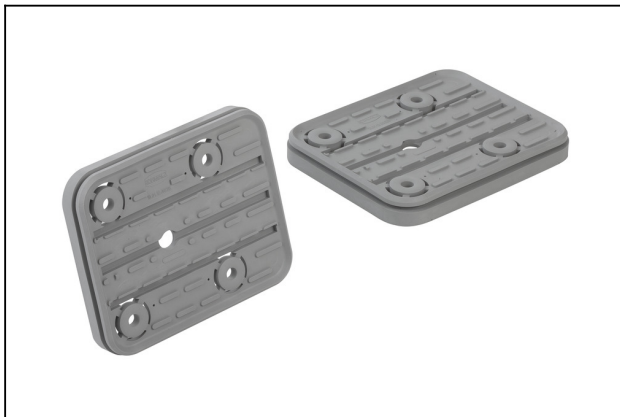
VCSP-O 140x115x16.5

Part no.10.01.12.00488

Suction-Plate for vacuum block, (top)

Dimensions (LxW): 140 x 115 mm

Height H: 16.5 mm



VCSP-U 140x115x16.5 VCBL-K1

Part no.10.01.12.00228

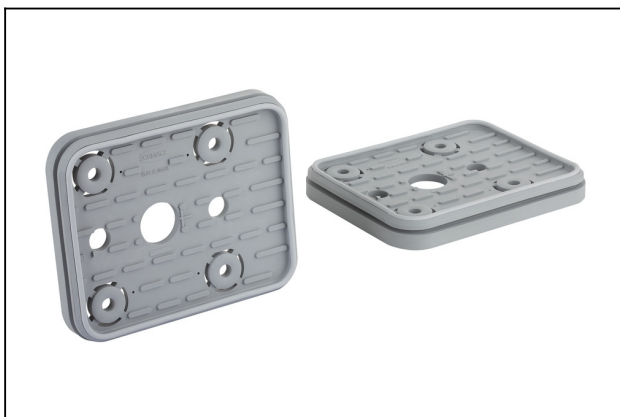
Suction plate for vacuum block bottom

Dimensions (LxW): 140 x 115 mm

Height H: 16.5 mm

for: Vacuum block VCBL-K1

Accessories



VCSP-O 140x115x18.5 MOS

Part no.10.01.12.03507

Suction-Plate for vacuum block, (top)

Dimensions (LxW): 140 x 115 mm

Height H: 18.5 mm

with: Sealing lip with MOS