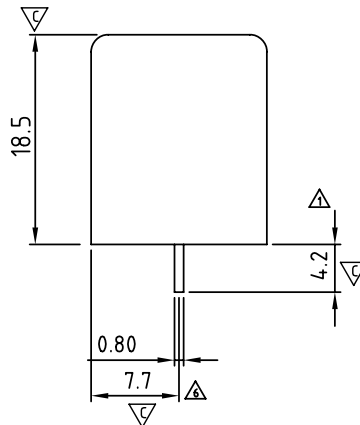


P.C.B Layout  
TOP VIEW

N= Number of Poles  
Dimension Dim A. B

Dim A	Nx10.0+2.0
Dim B	(N-1)x10.0



Poles	Tolerance
2P-5P	±0.20
6P-10P	±0.25
11P-16P	±0.35
17P-24P	±0.40
25P-30P	±0.50

SIGN	DATE	DESCRIPTION	APPROVER
△	5/08'03	Dimension changed from 5.2 to 4.2	DAWN
△	5/08'03	Dimension changed from 1.4 to 1.50	DAWN
△	2/04'06	Part No. changed	Tony
△	11/13'12	Change the screw plating specification	Guoxue
△	11/13'12	Change the dimensional tolerance	Guoxue
△	11/13'12	Add the dimensional label	Guoxue

THIS IS CAD DRAWING, DO NOT REVISE MANUALLY!!!

MATERIALS ELECTRICAL

RATED VOLTAGE & CURRENT: 300 V, 25 A  
 WITHSTAND VOLTAGE: AC 2000 V/Min  
 INSULATION RESISTANCE: 1000 MΩ OR MORE AT DC 500 V  
 OPERATING TEMPERATURE RANG: -40 °C ~ +115 °C  
 SCREW TORQUE VALUE: 8.8 Lb-In.  
 WIRE RANGE: 22 - 12 AWG  
 1) MOLDED PARTS: Thermoplastic, UL 94 V-0 BLACK  
 2) TERMINAL: BRASS, 0.8t, Tin PLATED  
 3) TERMINAL SCREWS: STEEL, M3.5

APPROVAL:   
 Critical dimension: ▽

△ PART NO.:

YK 614 xx 0 x x 00G

NO. OF POLES  
 02: 2 POLES  
 03: 3 POLES  
 04: 4 POLES  
 :  
 30: 30 POLES

RoHS compliant  
 (lead<4%)  
 In copper Alloy  
 MARK  
 0: "@" MARK  
 1: "ANY" MARK

TERMINAL & SCREW PLATED  
 0: TERMINAL & SCREW: G/F  
 △ 1: TERMINAL: G/F, SCREW: ZINC  
 2: TERMINAL: Sn, SCREW: G/F  
 △ 3: TERMINAL: Sn, SCREW: ZINC

**ANYTEK**

**CUSTOMER COPY**

ALL RIGHTS RESERVED. REPRODUCTION OR ISSUE TO THIRD PARTIES IN ANY FORM WHATSOEVER IS NOT PERMITTED WITHOUT WRITTEN AUTHORITY FROM THE PROPRIETOR. PROPERTY OF ANYTEK TECHNOLOGY CO., LTD

TITLE		YK-614 W/O Flange Series		
PART NO.		YK614-xx0xx00G	DWG NO.	8YK0001-614
APPROVED	CHECKED	DESIGNED	DRAWN	CUST NO.
		Guoxue 2012.12.01	Guoxue 2012.12.01	
				Tolerance
				X. ±0.50
				X.X ±0.30
				X.XX ±0.10
				X° ±1°
SHEET: 01/01				REV.: D