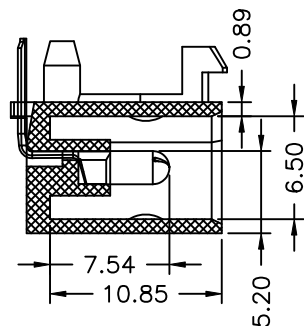
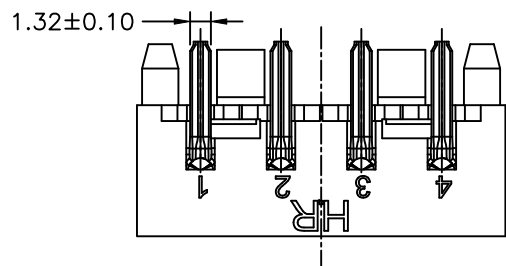
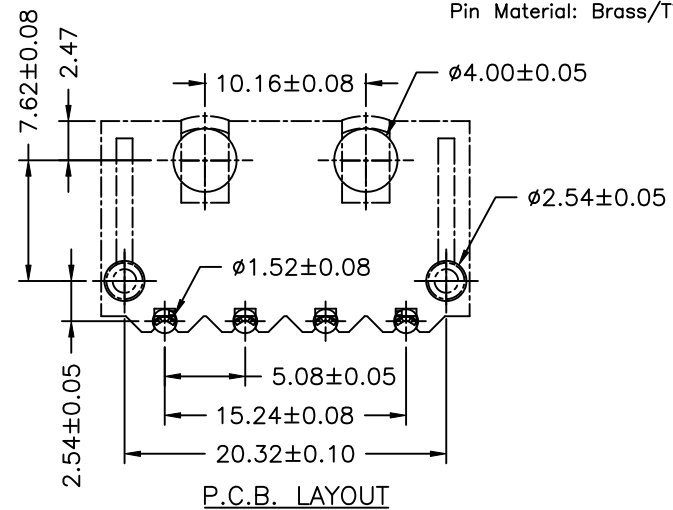
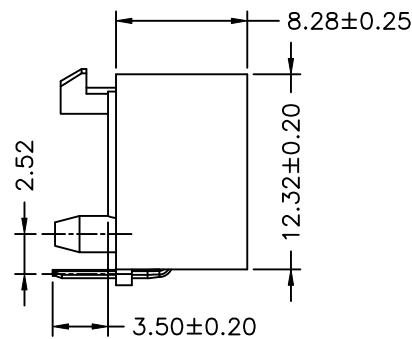
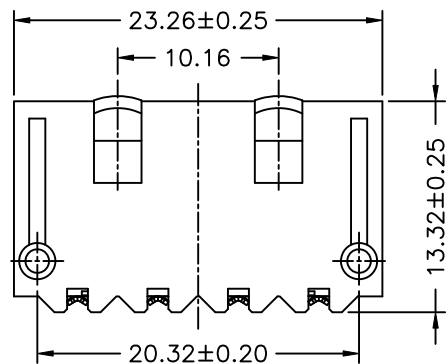




P/N LEGEND

C5080 WR-F-04P			
①	②	③	④
① Series No.			
② Connector type: WR=Right angle			
③ F=With Peg			
④ No. of circuits			
④ Option code:	Blank=Nylon66,V-2,Natural(Translucent)		

SPECIFICATIONS

Current Rating: 10A AC,DC
Voltage Rating: 250V AC,DC
Temperature Range: -40°C ~ +105°C
Contact Resistance: 10mΩ Max
Insulation Resistance: 1000MΩ Min
Withstanding Voltage: 1500V AC/minute
Pin Material: Brass/Tin-plated



						燦達電子工業股份有限公司 JOINT TECH ELECTRONIC IND. CO., LTD.	
		UNIT	SCALE	SHEET	TITLE:		
		mm		1 of 1	P/N:C5080WR-F-04P 5.08mm PITCH 90° WAFER		
		DRAWN BY		APPROVED BY			
		歐陽小強		董正一			
		2007.04.25		2007.04.25			
		GENERAL TOLERANCE					
A3	EN202410221797	2024.10.22	廖琴琴				
A2	EN1806070003	2018.05.28	無秋蘭				
A1	EN1107280313	2011.07.28	肖勇	X. X±0.25		ANGLE±	
A0	NEW RELEASE	2007.04.25	董正一	X. XX±0.15			
REV.	DESCRIPTION	DATE	NAME	X. XXX±0.05			
						DRAW NO. : C5080WR-F-04P	
						A3	