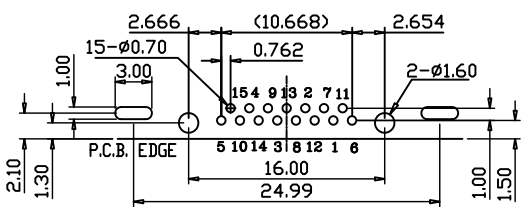
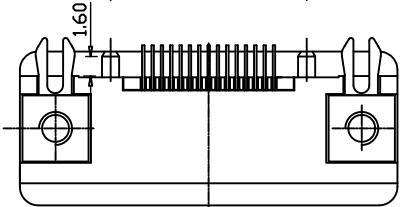
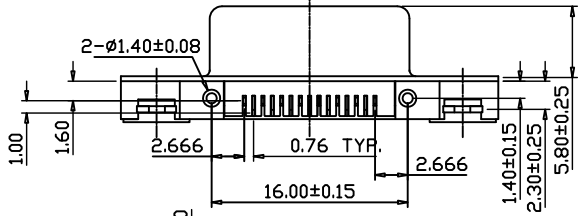
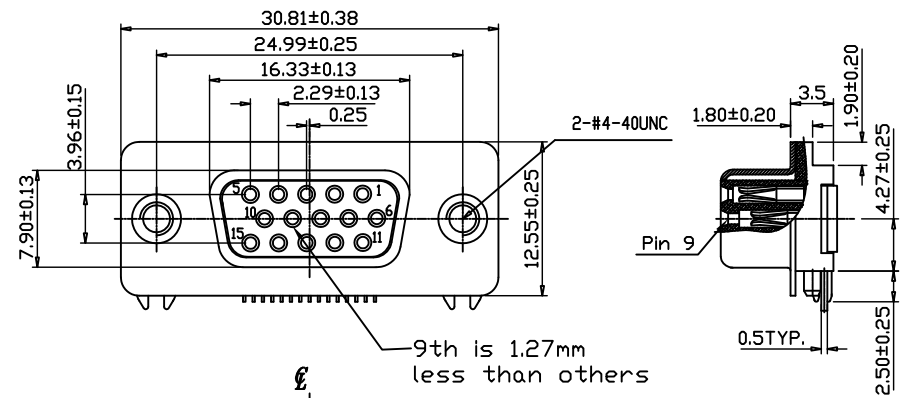


This document is the property of Amphenol Corporation and is delivered on the express condition that it is not to be disclosed, reproduced or used, in whole or in part, for manufacture or sale by anyone other than Amphenol Corporation without its prior consent, & that no right is granted to disclose or to use any information in this document.



RECOMMENDED P.C.B. LAYOUT  
(TOLERANCE +/-0.03mm)

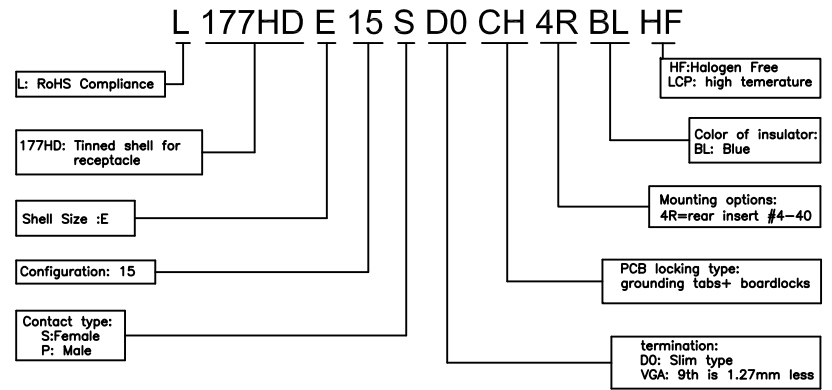


REVISIONS				
SYM	ECN	DESCRIPTION	DATE	APPROVED
1	HKXXXX	First release	11/15/11'	IP

**D-SUB TECHNICAL DATA**

- SHELL : Steel, 100u" min tin over 50u" min nickel
- BODY : Glass filled thermoplastic ,color blue, Pantone 661C  
Flame retardant to UL94 V-0, LCP, Halogen Free.
- CONTACTS : Phosphor bronze  
15u" min gold over 50u" min nickel on mating area.  
100u" min. tin over 50u" min nickel on solder area
- BOARDLOCK: Copper alloy,100u" tin over 50u" min nickel
- REAR INSERT : Brass,100u" min tin over 50u" min nickel
- BRACKET : Brass. 100u" min tin over 50u" min. nickel.
- ELECTRICAL : Voltage rating : 600 V Rms to 50 Hz  
Current rating : 3A  
Withstanding Voltage >1000 V Rms to 50 Hz for one minute  
Insulation resistance >5000 M Ohms  
Contact resistance 20 mOhms max.
- CLIMATIC : Temperature range -55 °C up to 105°C
- MARKING : Amphenol...(Series No.)  
Manufacturing date  
Commercial reference

**PRODUCT CODE**



UNLESS OTHERWISE SPECIFIED TOLERANCES		APPROVAL		DATE
U.S.	METRIC	DRAWN	Chn Dk	11/15/11'
.X +/-	0.50	CHECKED	Tomy Tang	11/15/11'
.XX +/-	0.30	CHECKED		
.XXX +/-	0.20			
FRACTIONS +/-				
ANGLES +/-	2'			
FOR MATERIALS AND FINISHES SEE NOTES		DRAWING FILE :		
REMOVE SHARP EDGES		ANGLE OF PROJECTION		
DIMENSIONS				
U.S.	INCHES			
METRIC	MM			

Amphenol		Amphenol East Asia Limited	
TITLE Stamped and Formed contacts, HD series			
SIZE	DRAWING NO.	REV.	
A4	C L177HDE15SD0CH4RBLHF	1	
SCALE	NONE	SHEET 1 OF 1	

Customer drawing  
For Proposal Only