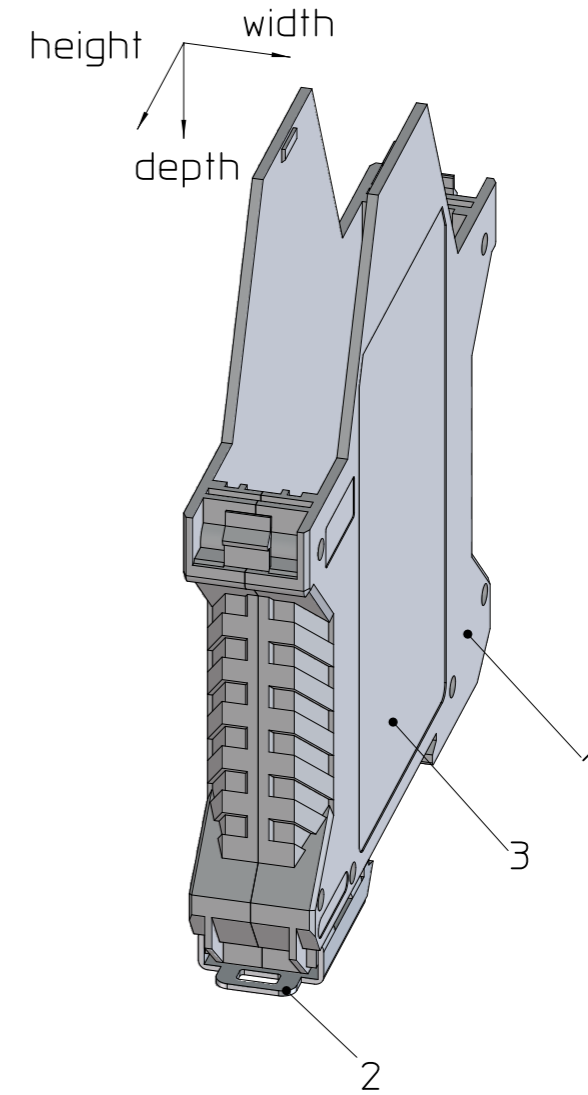
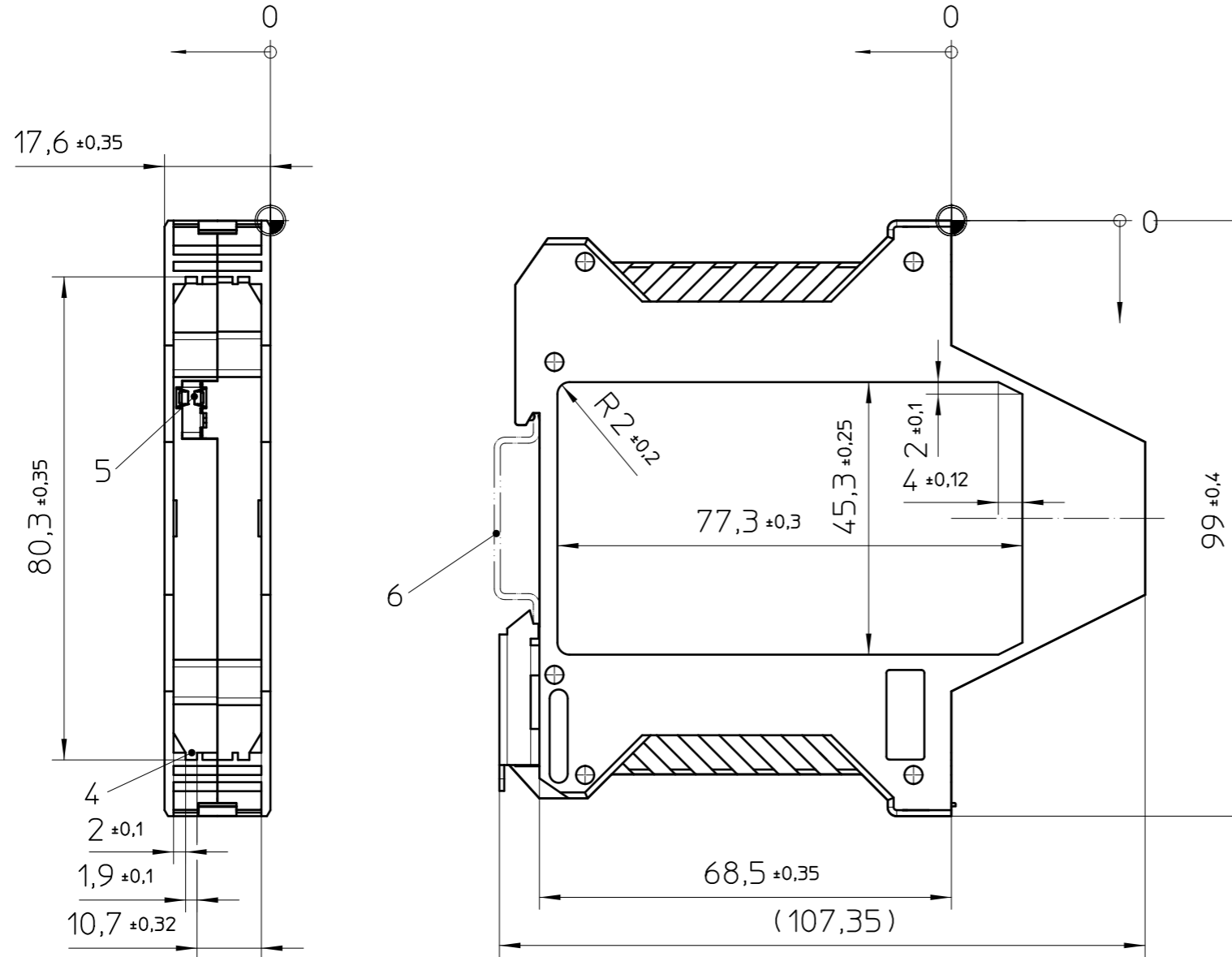


Transfer or duplication of this document as well as the utilisation or communication of its content are not permitted unless express consent is granted. Violations give rise to claims for damages. All rights reserved in case of patent, utility model or design patent registrations.

Weitergabe sowie Vervielfältigung dieses Dokuments, Verwertung und Mitteilung seines Inhalts sind verboten, soweit nicht ausdrücklich gestattet. Zuwiderhandlungen verpflichten zu Schadensersatz. Alle Rechte für den Fall der Patent-, Gebrauchsmuster- oder Designeintragung vorbehalten.



General Information:

- Simplified representation, exemplary shown in gray.
- Document excluded from change process
- Units are in millimeters [mm] and degrees [°]
- Tolerances apply in a normal climate according to DIN EN ISO 291-23/50-2, PA plastic parts with about 2% (% by weight) moisture content.
- $\oplus$  Workpiece zero point for mechanical processing
- Tolerances for mechanical processing are ISO 2768-mK
- Tolerances for printing DIN ISO 2768-m
- Machining radii min. R1, further on request
- Web: [www.phoenixcontact.com](http://www.phoenixcontact.com) webcode: #0902

Additional Information:

- ME 17,5 UT
  - Foot catch
  - Marking area
  - PCB guidance
  - FE contact
  - Mounting rail like EN 60715:TH 35-7,5/15 or mounting rail TH 35-15x1,5 similar to EN 60715
- Recommended PCB outline on [www.phoenixcontact.com](http://www.phoenixcontact.com) webcode: #0512

	DIN A3	document-No. / RI	00857390 / 02	date	19.12.2025	scale	1:1
		ident.-No.	2201587	document-type	TECDOC 2D_Productdrawing		
page 1		of 1	description		ME 17,5 UTG/FE BU		