

Flat suction pad (round)

SUF 18 NBR-ESD-55 G1/8-AG

Part no...:10.01.01.14122

<https://www.schmalz.com/10.01.01.14122>

Home > Vacuum Technology for Automation > Vacuum Components > Vacuum Suction Cups > Suction Cups for the Electronics Industry > Flat Suction Cups SUF > SUF 18 NBR-ESD-55 G1/8-AG

Flat suction cup (round) for process safe handling of smooth or slightly rough surfaces



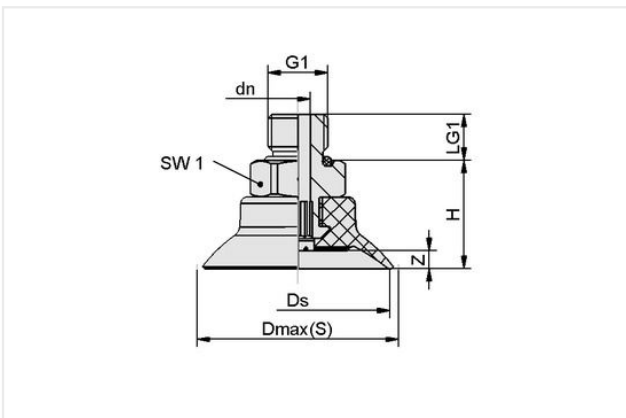
Size: 18

Suction cup material: Nitrile rubber NBR-ESD

Material hardness [Shore A]: 55 Shore A

Vacuum connection: G1/8"-M

Design Data



| Attribute | Value |
|------------|----------|
| Dmax(S) | 20.60 mm |
| Ds | 18 mm |
| dn | 3.10 mm |
| G1 | G1/8"-M |
| H | 15.30 mm |
| LG1 | 7.50 mm |
| SW1 | 14 mm |
| Z (Stroke) | 1.80 mm |

Technical Data

| Attribute | Value |
|-----------------------------|------------------------|
| Suction force (-600mbar) | 13 N |
| Pull-off force | 13 N |
| Volume | 0.37 cm ³ |
| Curve radius (min) (convex) | 20 mm |
| Hose diameter (empf.) d | 4 mm |
| Size | 18 |
| Suction cup material | Nitrile rubber NBR-ESD |
| Material hardness [Shore A] | 55 Shore A |

Contact Schmalz

Schmalz Sp.z.o.o. | ul. Fabianowska 131/A1, 62-052 Komorniki, Poland | +48 61 628 67 70 | schmalz@schmalz.pl

Flat suction pad (round)

SUF 18 NBR-ESD-55 G1/8-AG

Part no...:10.01.01.14122

<https://www.schmalz.com/10.01.01.14122>

| | |
|-----------------|--------|
| Weight | 5.10 g |
| Product family | SUF |
| Number of folds | 0 |

Note: Suction force: The specified suction forces are theoretical values at a vacuum of -0.6 bar and with a dry, smooth and flat workpiece surface - they do not include a safety factor
Hose diameter: The recommended hose diameter refers to a hose length of approx. 2 m

Spare parts



SC 030 G1/8-AG

Part no...:10.01.06.04288

Connection geometry: 030

Vacuum connection: G1/8"-M

Fitting length: 6 mm

Nominal diameter dn: 3.1 mm



SUF 18 NBR-ESD-55 SC030

Part no...:10.01.01.14034

Size: 18

Suction cup material: Nitrile rubber NBR-ESD

Material hardness [Shore A]: 55 Shore A