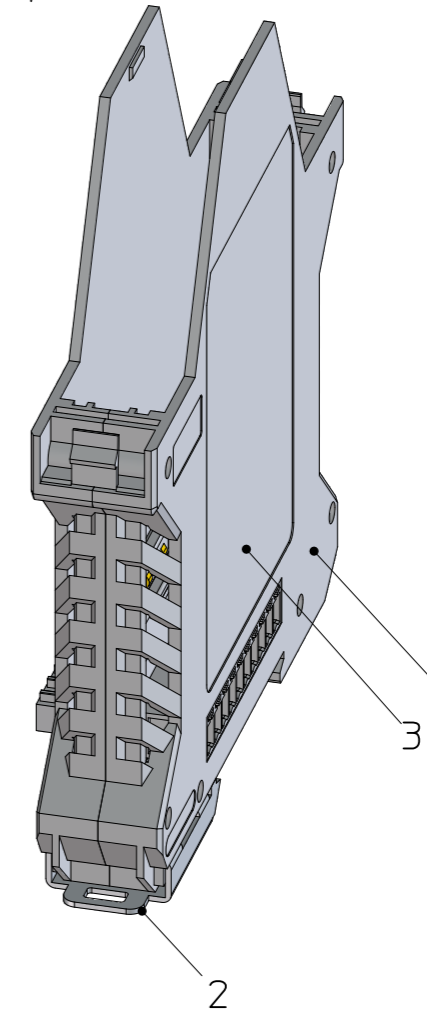
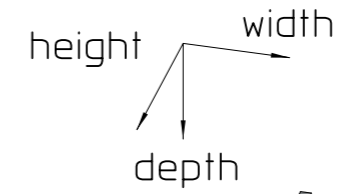
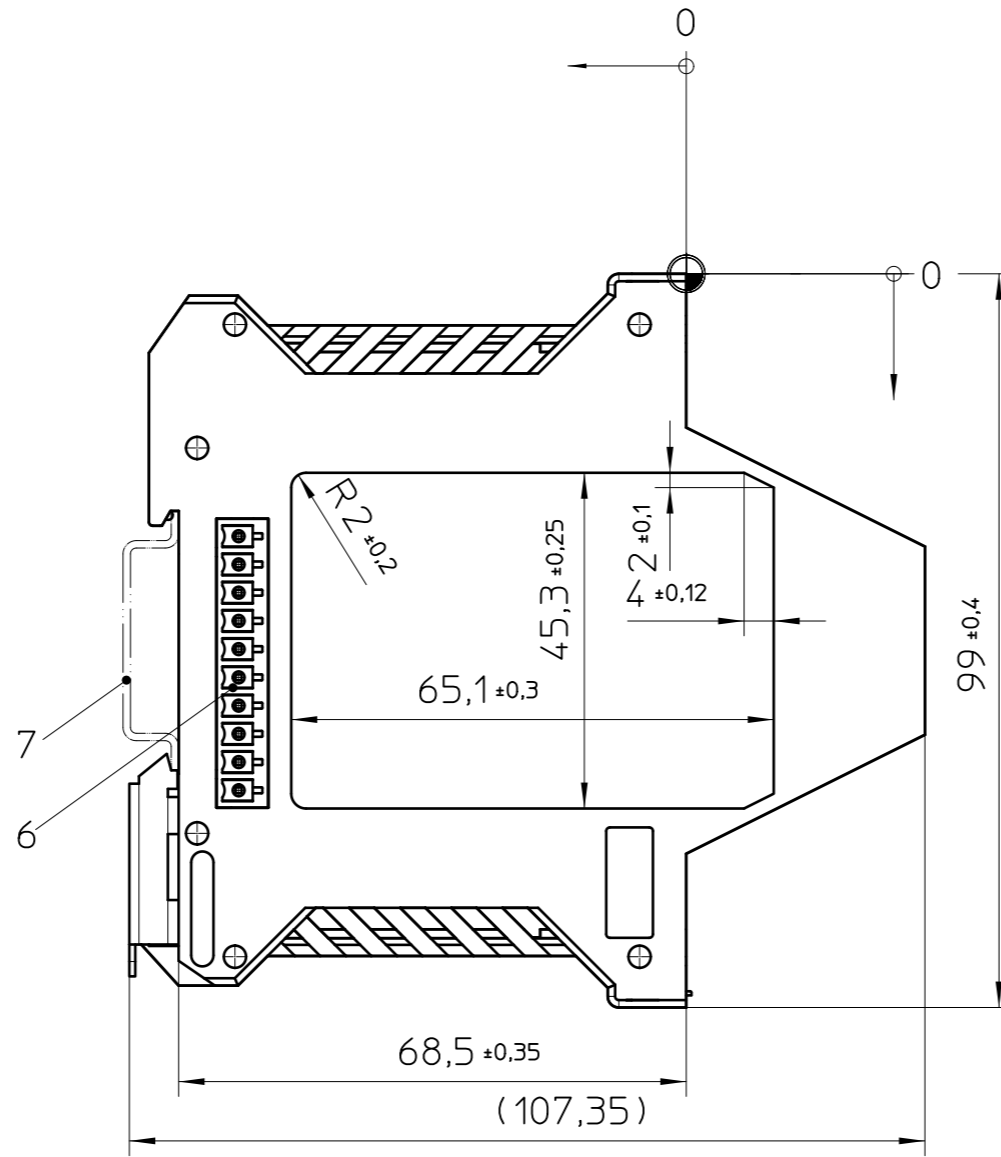
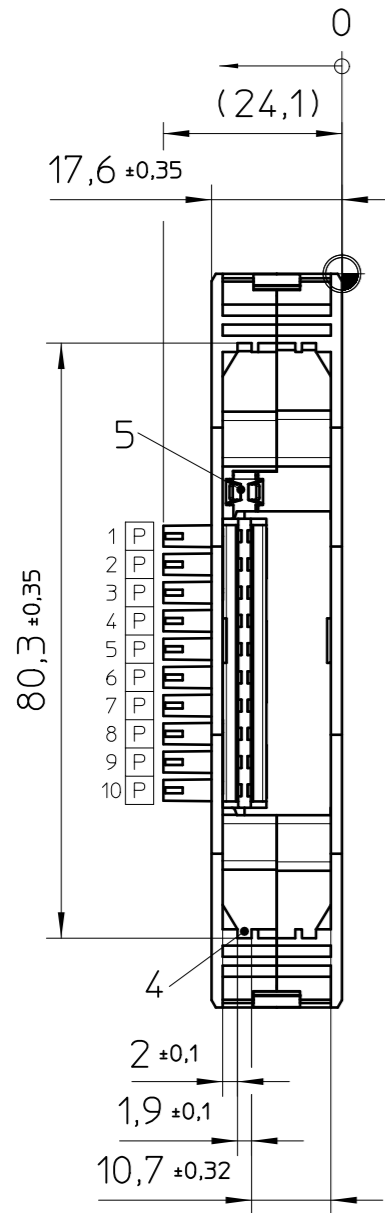


Transfer or duplication of this document as well as the utilisation or communication of its content are not permitted unless express consent is granted. Violations give rise to claims for damages. All rights reserved in case of patent, utility model or design patent registrations.

Weitergabe sowie Vervielfältigung dieses Dokuments, Verwertung und Mitteilung seines Inhalts sind verboten, soweit nicht ausdrücklich gestattet. Zuwiderhandlungen verpflichten zu Schadenersatz. Alle Rechte für den Fall der Patent-, Gebrauchsmuster- oder Designeintragung vorbehalten.



General Information

- 1. ME 17,5 UT
  - 2. Foot catch
  - 3. Marking area
  - 4. PCB guidance
  - 5. FE contact
  - 6. ME BUS 17,5 MC 10
  - 7. Mounting rail like EN 60715: TH 35-7,5/15 or mounting rail TH 35-15x1,5 similar to EN 60715
- ⊕ = Workpiece zero point for mechanical processing

- Simplified representation
- Document excluded from change process, exemplary shown in gray
- CAD Data see Download-Center on [www.phoenixcontact.com](http://www.phoenixcontact.com)
- Linear dimensions [mm]
- Tolerances, apply in a normal climate according to DIN EN ISO 291-23/50-2, with about 2% (% by weight) moisture content.
- Recommended PCB outline on [www.phoenixcontact.com](http://www.phoenixcontact.com) webcode: #0512

schematic symbol	description	electrical symbol
P	parallel	

	DIN A3	document-No. / RI	00845953 / 02	date	05.01.2026	scale	1:1
		ident.-No.	2695510	document-type	TECDC 2D_Productdrawing		
page 1 of 1		description		ME 17,5 UT/FE BUS/10 BK			