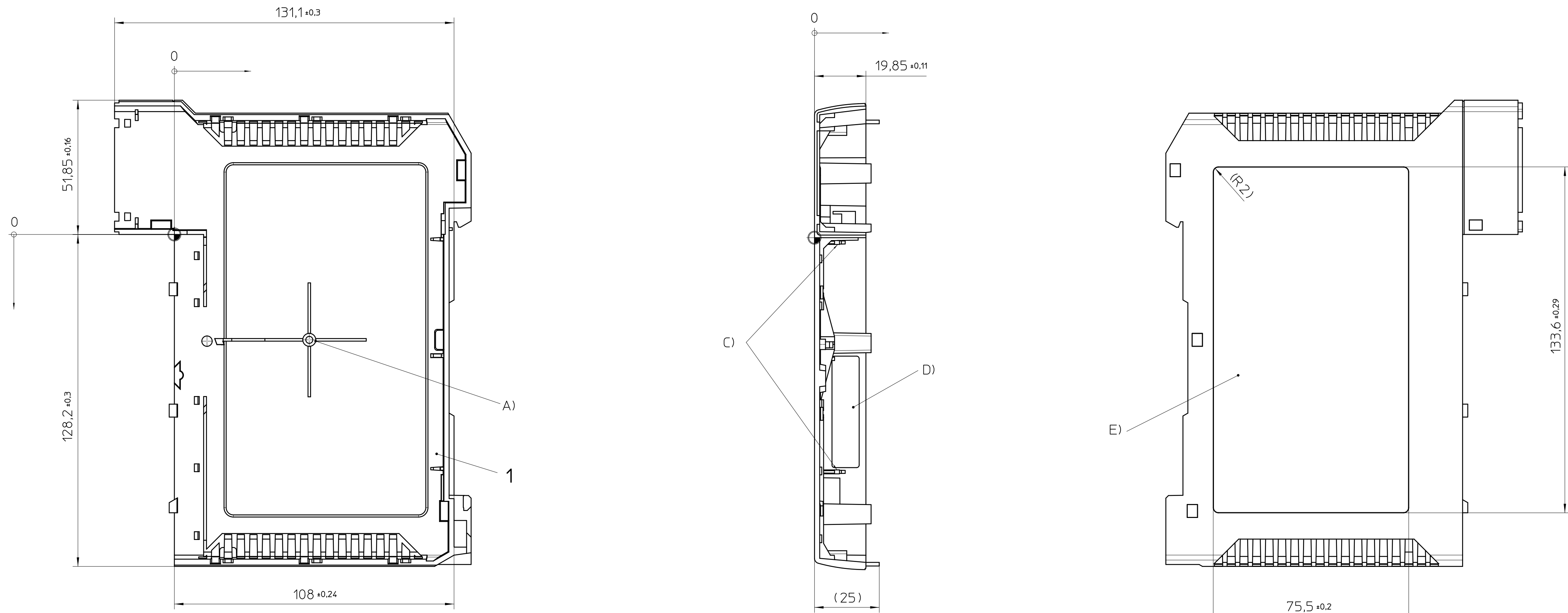
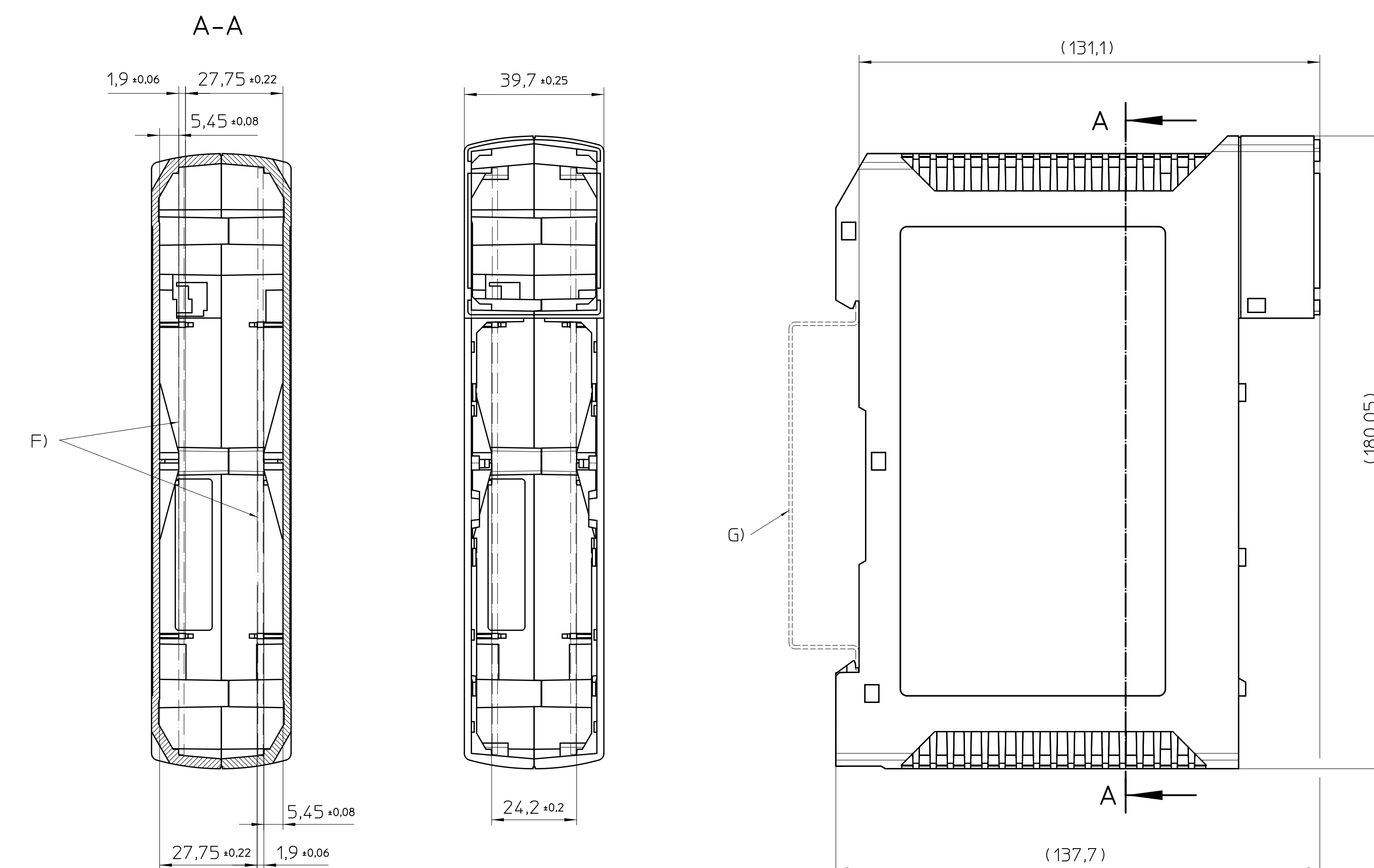


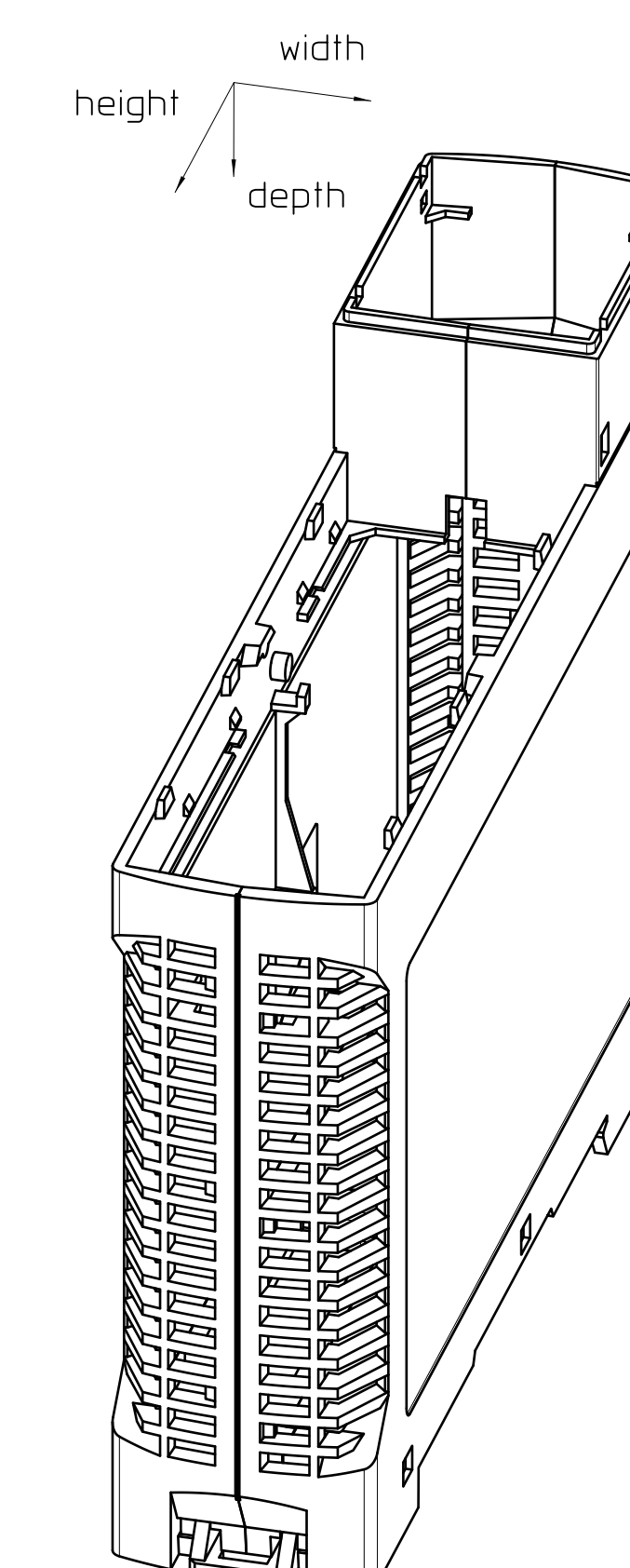
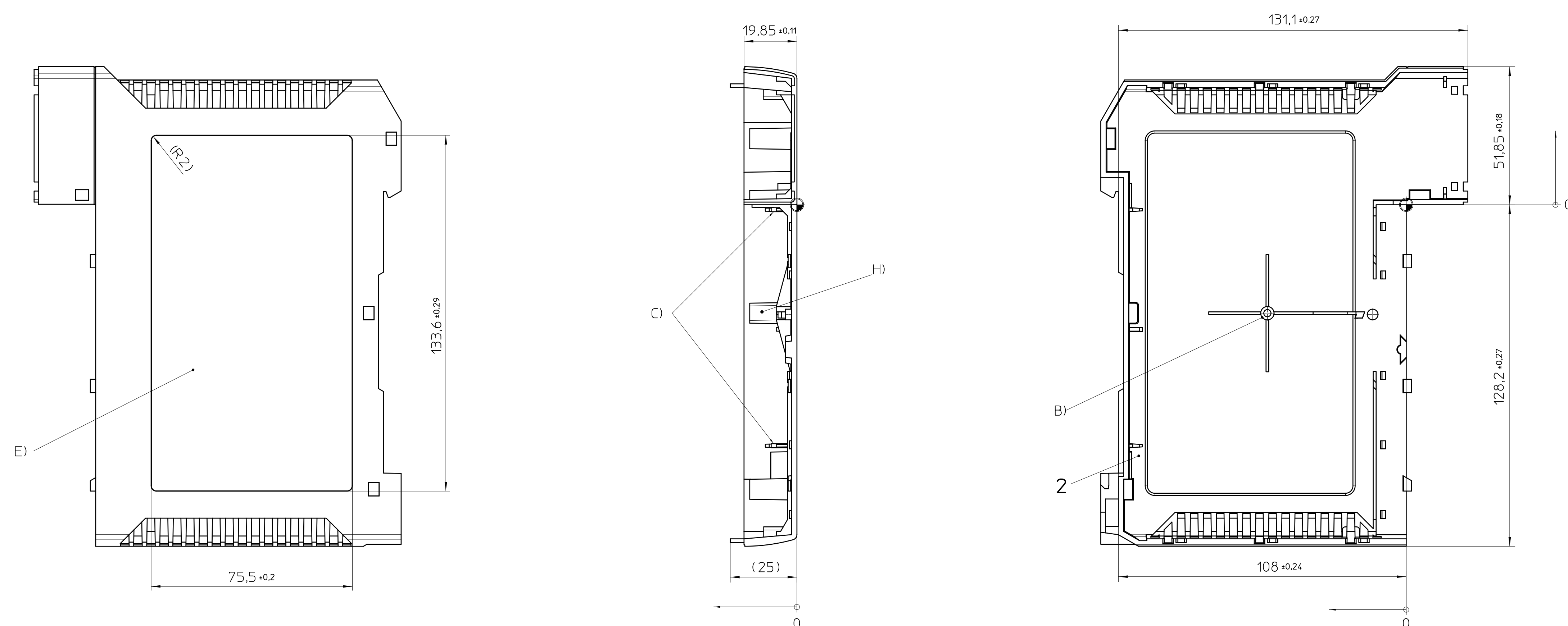
HOUSING LEFT PART



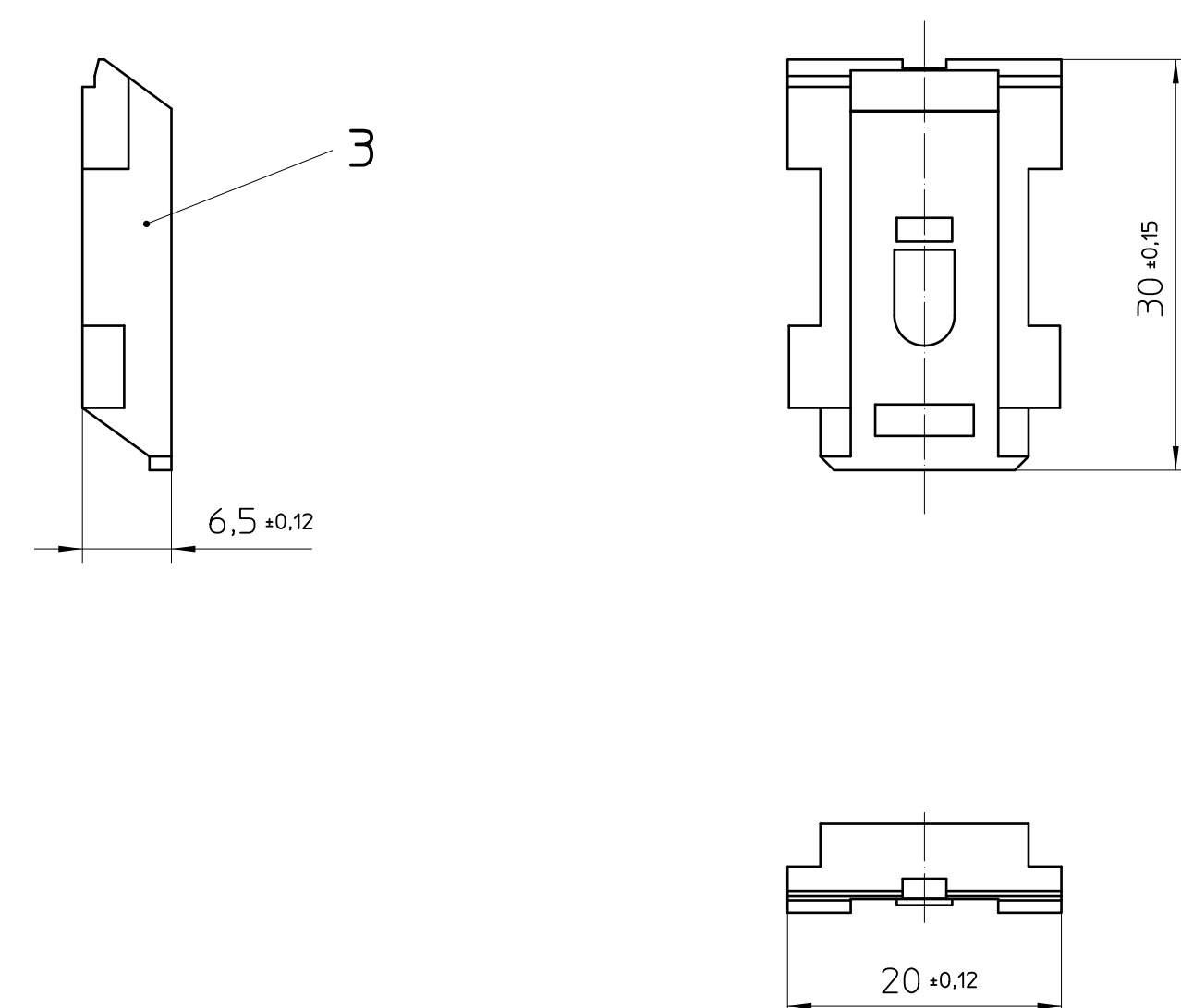
Assembly example: ME PLC 40 B BUS 10/10



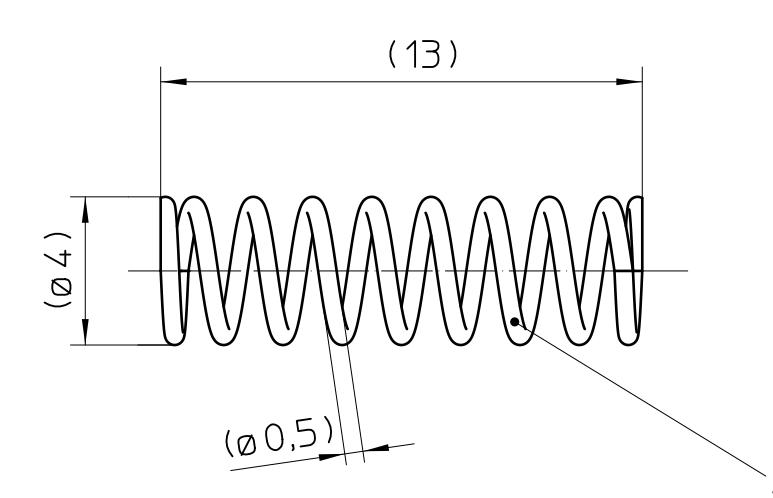
HOUSING RIGHT



FOOT CATCH
2:1



SPRING
5:1



- General Information
- Simplified representation
 - Document excluded from change process
 - Linear dimensions [mm]
 - Tolerances apply in a normal climate according to DIN EN ISO 291-23/50-2
 - Further information: www.phoenixcontact.com webcode: #0309
 - ☉ = workpiece zero point for mechanical processing

- A) Screw dome for fixing the left PCB
- B) Screw dome for fixing the right PCB
- C) PCB guidance
- D) Breakthrough for ME-PLC 40 BUS 10/10
- E) Labeling area
- F) PCB (t=1.6±0.2)
- G) Mounting rail: TH 105-20
- H) Screw dome (ø2.7x5.95) deep

KIT (not mounted)			
Pos.	QTY	description	material
1	1	HOUSING LEFT PART	PC
2	1	HOUSING RIGHT PART	PC
3	1	FOOT CATCH	STL
4	1	SPRING	STL

DIN A0 00914609 / 00 18.02.2018 11
 2201499 TECDOC 20_Productdrawing
 ME PLC 40 B BUS 10/10 GY7035

This drawing is a simplified representation of the product. It is not intended for manufacturing. It is intended for identification purposes only. The manufacturer is not responsible for any damage or loss of data resulting from the use of this drawing.