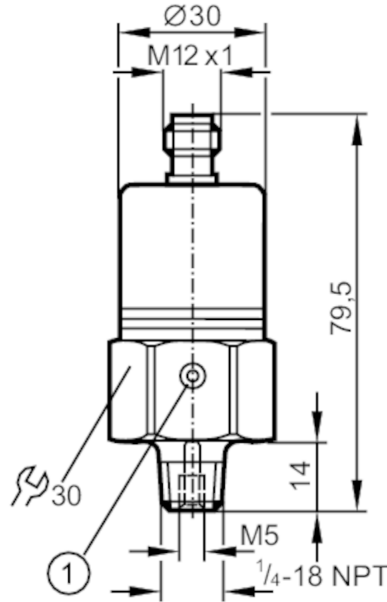


# PX3234



## Pressure transmitter with ceramic measuring cell

PA-020PRBN14-A-ZVG/US/ IV



1 ventilation



Product characteristics	
Number of inputs and outputs	Number of analogue outputs: 1
Measuring range [psi]	0...200
Process connection	threaded connection 1/4" NPT external thread internal thread:M5

Application	
Special feature	Gold-plated contacts
Application	for industrial applications
Media	liquids and gases
Medium temperature [°C]	-25...90; (on request: -40...90 °C)
Min. bursting pressure [psi]	2175
Min. bursting pressure [MPa]	15
Pressure rating [psi]	1087
Pressure rating [MPa]	7.5
Type of pressure	relative pressure

Electrical data	
Operating voltage [V]	9.6...32 DC
Min. insulation resistance [MΩ]	100; (500 V DC)
Protection class	III
Reverse polarity protection	yes

Inputs / outputs	
Number of inputs and outputs	Number of analogue outputs: 1

Outputs	
Total number of outputs	1

# PX3234



## Pressure transmitter with ceramic measuring cell

PA-020PRBN14-A-ZVG/US/ IV

Output signal	analogue signal
Number of analogue outputs	1
Analogue current output [mA]	4...20
Max. load [ $\Omega$ ]	720; ( $U_b = 24\text{ V}$ ; ( $U_b - 9,6\text{ V}$ ) / 20 mA)
Overload protection	yes

### Measuring/setting range

Measuring range [psi]	0...200
-----------------------	---------

### Accuracy / deviations

Repeatability [% of the span]	< 0,1; (with temperature fluctuations < 10 K)
Characteristics deviation [% of the span]	< $\pm 0,35$ (BFSL) / < $\pm 0,75$ (LS); (BFSL = Best Fit Straight Line; LS = limit value setting)
Long-term stability [% of the span]	< $\pm 0,05$ ; (per 6 months)
Temperature coefficient zero point [% of the span / 10 K]	0,15; (0...80 °C)
Temperature coefficient span [% of the span / 10 K]	0,2; (0...80 °C)

### Response times

Step response time analogue output [ms]	3
---	---

### Operating conditions

Ambient temperature [°C]	-25...80
Storage temperature [°C]	-40...100
Protection	IP 65

### Tests / approvals

EMC	EN 61000-4-2 ESD	4 kV CD / 8 kV AD
	EN 61000-4-3 HF radiated	30 V/m
	EN 61000-4-4 Burst	2 kV
	EN 61000-4-6 HF conducted	10 V
	radiation of interference	according to the automotive directive 2004/104/EC / CISPR 25
	immunity	according to the automotive directive 2004/104/EC / ISO 11452-2
	HF radiated	100 V/m
Shock resistance	DIN IEC 68-2-27	50 g (11 ms)
Vibration resistance	DIN IEC 68-2-6	20 g (10...2000 Hz)
MTTF [years]		555
Pressure Equipment Directive	Sound engineering practice; can be used for group 2 fluids; group 1 fluids on request	

### Mechanical data

Weight [g]	215.5
Housing	cylindrical
Dimensions [mm]	$\varnothing 30$ / L = 79.5
Materials	stainless steel (316L/1.4404); FKM; PA; EPDM/X
Materials (wetted parts)	stainless steel (303/1.4305); ceramics; FKM

# PX3234



## Pressure transmitter with ceramic measuring cell

PA-020PRBN14-A-ZVG/US/ IV

Min. pressure cycles	100 million
Process connection	threaded connection 1/4" NPT external thread internal thread:M5
Restrictor element integrated	no (can be retrofitted)

### Remarks

Pack quantity	1 pcs.
---------------	--------

### Electrical connection

Connector: 1 x M12; coding: A; Contacts: gold-plated



### Connection

