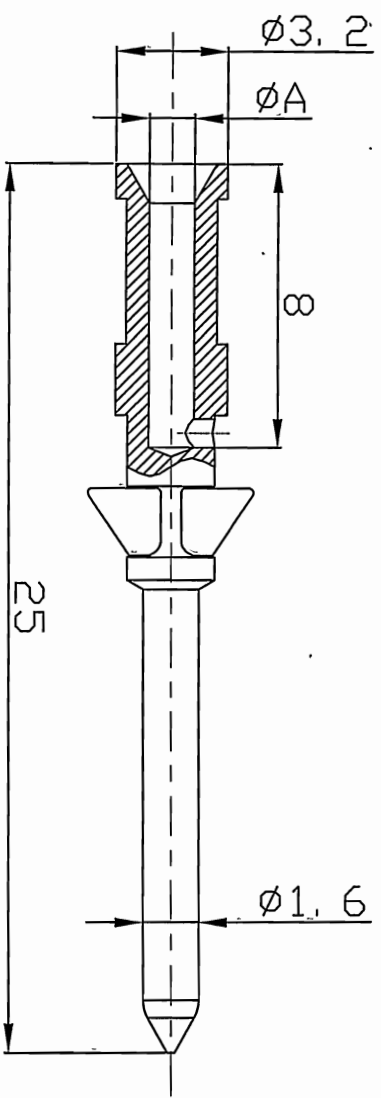


Contacts, silver-plated	Type of products	Wire gauge	Recommended stripping length	
			(mm ²)	(AWG)
◆ 10A-SM-0.37	0.9	26-22	8mm	8mm
10A-SM-0.5	1.1	20	8mm	8mm
10A-SM-0.75	1.3	18	8mm	8mm
10A-SM-1.0	1.45	18	8mm	8mm
10A-SM-1.5	1.75	16	8mm	8mm
10A-SM-2.5	2.25	14	6mm	6mm

REVISION RECORD			
REV	ECN	DESCRIPTION	DATE



- Crimp contacts
01. Material : Copper alloy
 02. Surface : hard-silver plated
 03. Contact resistance : $\leq 3m\Omega$
 04. Terminal : Crimp connection
 05. Wire gauge : 0.37-2.5mm² (AWG 22-14),
 06. Rohs Compliance

PART NO.: /		宁波高松电子有限公司 NINGBO DEGSON ELECTRICAL CO., LTD	
APD: <i>MYS 2016.8.12</i> CHK: <i>CHN 2016.8.10</i>		NAME: 10A-Male Contacts	
DRFT: Mr. Yang 2016.08.08		TITLE: CUSTOMER DRAWING	
THIRD ANGLE PROJECTION		DRAWING NO.: / DO NOT SCALE DRAWING	
REV	DRFT	SCALE	DATE