

Bellows suction cup (round)

FGA 33 NBR-55 N018

Part no...:10.01.06.00130

<https://www.schmalz.com/10.01.06.00130>

Home > Vacuum Technology for Automation > Vacuum Components > Vacuum Suction Cups > Bellows Suction Cups (Round) > FGA 33 NBR-55 N018

Bellows suction cup (round) with optimal adaptation to uneven surfaces



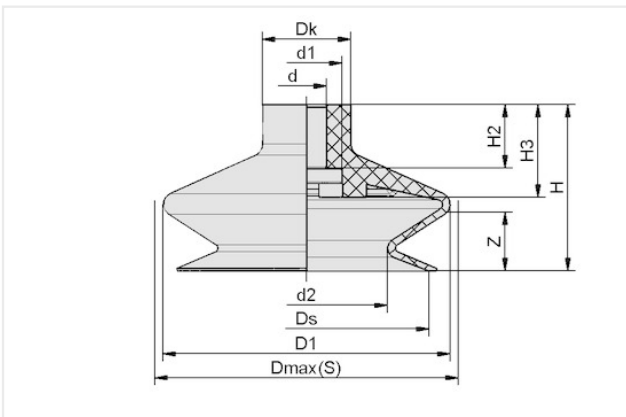
Size: 33

Suction cup material: Nitrile rubber NBR

Material hardness [Shore A]: 55 Shore A

Number of folds: 1.5

Design Data



Attribute	Value
d	8 mm
d1	16 mm
d2	17 mm
D1	36 mm
Dk	18 mm
Dmax(S)	38 mm
Ds	30 mm
H	27 mm
H2	13 mm
H3	14 mm
Z (Stroke)	9 mm

Note: Acceptable dimensional tolerances for elastomer parts concerning to DIN ISO 3302-1 M3

Technical Data

Attribute	Value
Number of folds	1.50
Suction force	13.60 N
Size	33
Suction cup material	Nitrile rubber NBR
Weight	7.30 g
Curve radius (min) (convex)	40 mm

Contact Schmalz

Schmalz Sp.z.o.o. | ul. Fabianowska 131/A1, 62-052 Komorniki, Poland | +48 61 628 67 70 | schmalz@schmalz.pl

Bellows suction cup (round)

FGA 33 NBR-55 N018

Part no...:10.01.06.00130

<https://www.schmalz.com/10.01.06.00130>

Product family

FGA

Accessories



SA-NIP N018 G1/4-AG DN440

Part no...:10.01.06.01065

Nipple family: N 018

Thread G1: G1/4"-M

Length L1: 28.8 mm

Fitting length: 4 mm

Nominal diameter dn: 4.4 mm

Spanner size SW2: 5 mm

Material: Aluminum



SA-NIP N018 G1/4-IG DN440

Part no...:10.01.06.01066

Nipple family: N 018

Thread G1: G1/4"-F

Length L1: 28.8 mm

Fitting length: 15 mm

Nominal diameter dn: 4.4 mm

Spanner size SW2: 5 mm

Material: Aluminum



SPI 32 PEEK

Part no...:10.01.06.03287

Size: 32

Material: Polyetheretherketon



Bellows suction cup (round)

FGA 33 NBR-55 N018

Part no...:10.01.06.00130

<https://www.schmalz.com/10.01.06.00130>

Contact Schmalz

Schmalz Sp.z.o.o. | ul. Fabianowska 131/A1, 62-052 Komorniki, Poland | +48 61 628 67 70 | schmalz@schmalz.pl