



F&F Filipowski L.P.
Konstantynowska 79/81, 95-200 Pabianice, POLAND
phone/fax (+48 42) 215 23 83 / (+48 42) 227 09 71
www.fif.com.pl; e-mail: biuro@fif.com.pl

PSR-463

4-track, rotary,
modular
network-aggregate switch 63 A



5190243116753051

Do not dispose of this device in the trash along with other waste!

According to the Law on Waste, electro coming from households free of charge and can give any amount to up to that end point of collection, as well as to store the occasion of the purchase of new equipment (in accordance with the principle of old-for-new, regardless of brand). Electro thrown in the trash or abandoned in nature, pose a threat to the environment and human health.



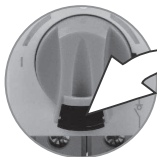
Purpose

Modular network-aggregate installation switch PSR-463 implements switching program I-0-II, so it is possible, for example, to connect them to the output of one of the two input lines, or completely disconnect the circuits. The contacts of the switch act as a disconnecter, so it is possible to switch up to the rated load current.



The switch has the possibility to lock the drive.

The location of the lock is shown in the figure below:



Possibility
to lock the drive

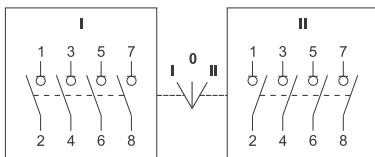
Characteristics

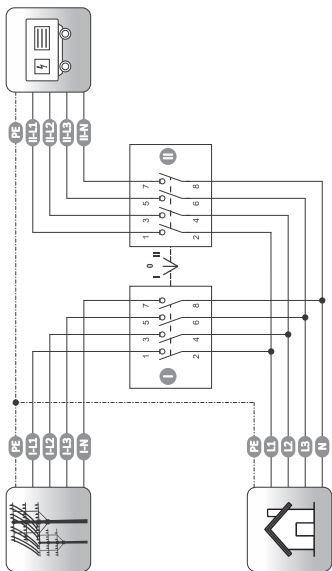
- » The main contacts (L1, L2, L3, N) are switched on/off simultaneously;
- » Mechanical protection to prevent simultaneous switching on of both power sources or immediate switching from one line to the other without passing through the 0 position;
- » Possibility of 1-phase and 3-phase operation.



For 1-phase installations, connect the supply phase to the L1, L2, L3 terminals of the switch.

Wiring diagram





Technical data

number of tracks	4P
rated voltage (AC)	415 V
insulation voltage	800 V
surge voltage	8 kV
rated frequency	50÷60 Hz
current capacity AC-21 (category A and B)	63 A
current capacity AC-22 (category B)	63 A
current capacity AC-23 (category B)	63 A
switching power	41 kW
electrical strenght	6.000 cycles
mechanical strenght	10.000 cycles
possibility of locking in 0 position	yes
power loss (for rated current)	
1 track	1.5 W
total	6.0 W
terminal	
minimum conductor diameter	2.5 mm ²
maximum conductor diameter	35 mm ²
tightening torque	2 Nm
working temperature	-25÷50°C
dimensions	138×76×103 mm
mounting	TH-35 rail/mounting plate
ingress protection	IP20

Warranty

F&F products are covered by a 24-month warranty from the date of purchase. The warranty is only valid with proof of purchase. Contact your dealer or contact us directly.

CE declaration

F&F Filipowski L.P. declares that the device is in conformity with the essential requirements of The Low Voltage Directive (LVD) 2014/35/EU and the Electromagnetic Compatibility (EMC) Directive 2014/30/UE.

The CE Declaration of Conformity, along with the references to the standards in relation to which conformity is declared, can be found www.fif.com.pl on the product subpage.

