

Specifications

Material

Housing: PBT, UL 94V-0, Black
 Shell: Brass
 Terminal: Phosphor Bronze

Plating

Terminal:
 Contact Area: 6μ" Gold
 Solder Tails: Tin
 Shell: Nickel

Mechanical & Environmental

Storage Temperature: -40°C to +85°C
 Operation Temperature: -40°C to +85°C
 Durability: 750 Cycles min.
 Mating Force: 23N max.

Ordering Grid

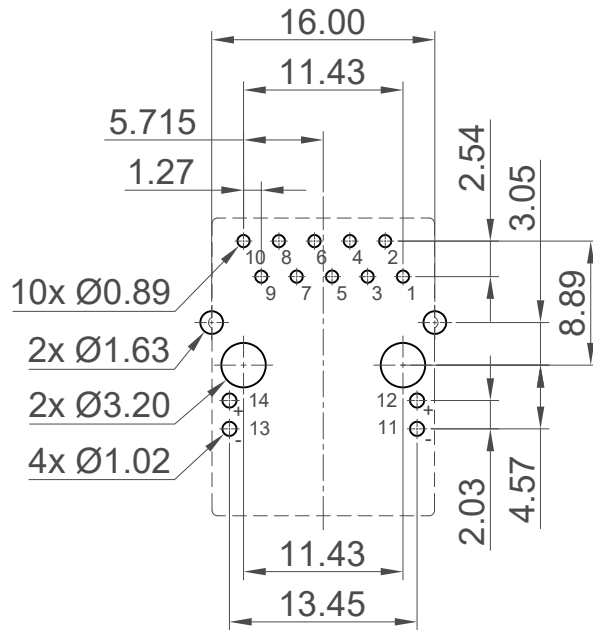
MGB005 — 1 C F1 B002 H Request Samples and Quotation

Contact Plating
 C = 6μ" Gold

Packing Options
 H = Tray (120pcs per tray)

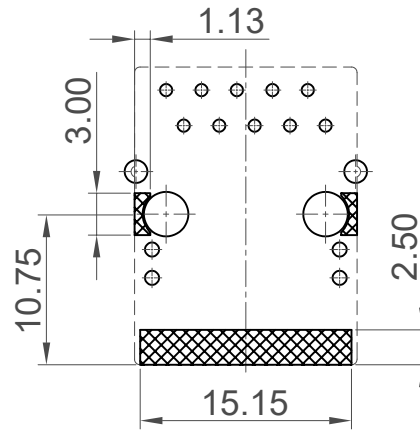
Part Number		Product Description		 www.gct.co
MGB005		Modular Jack, With Shell, With LED, With Magnetics, R/A, Through Hole, 1000Base		
Drawing Date		17th October 2025		
By		KY		
Detail	Drawing Release	Tolerances (Except as Noted)		Units: Metric (mm)
		Length	Angle	
Revision	A	X.X ±0.35	X° ±3.0°	 <small>This drawing is confidential and copyright of Global Connector Technology, Ltd (GCT). This drawing must not be copied or disclosed without written consent. E & OE</small>
Date	17/10/25	X.XX ±0.30	X.X° ±2.0°	
		X.XXX ±0.25	X.XX° ±1.5°	 <small>3rd Angle Projection</small>
		X.XXX ±0.10	X.XXX° ±1.0°	
Not to Scale	Drawn By CC	Sheet No. 1/4		

H
G
F
E
D
C
B
A



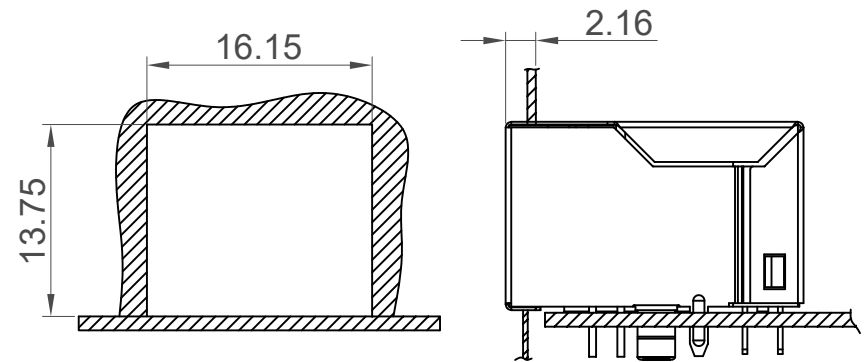
Recommended PCB Layout
Viewed from Component Side
Tolerance:±0.05mm

□ Component Outline






Recommended Keep Out Area
Viewed from Component Side
Tolerance:±0.05mm

▨ Keep Out Area □ Component Outline

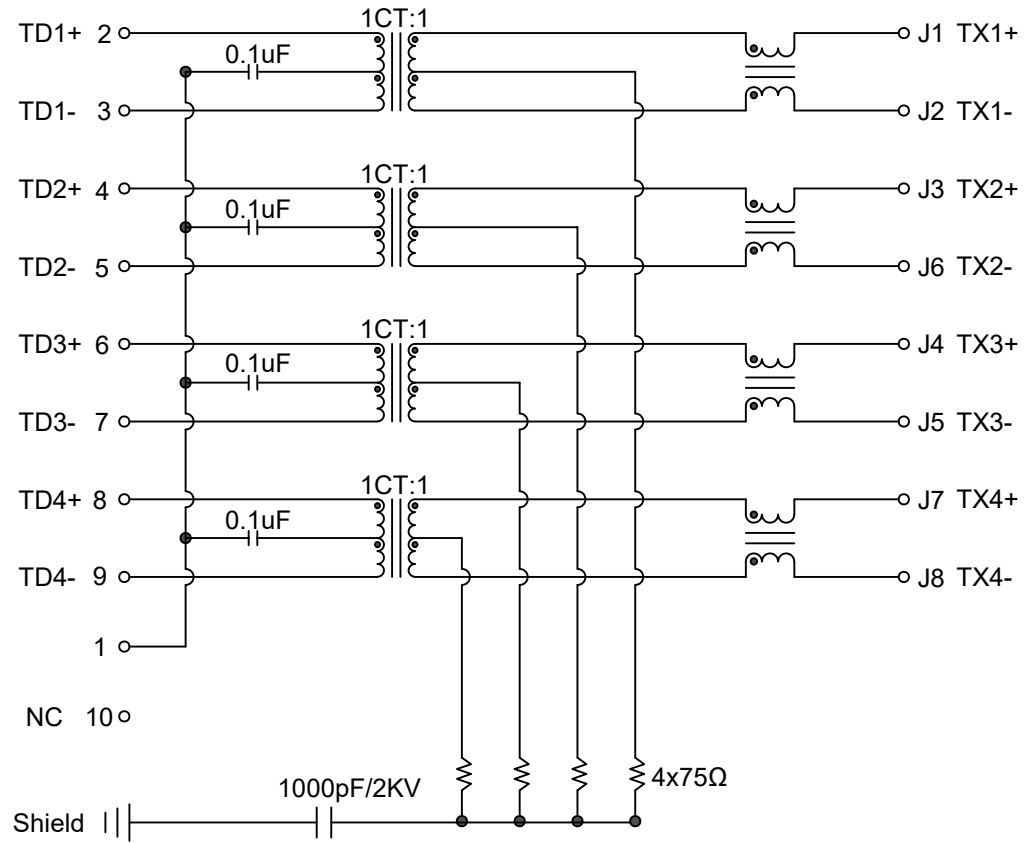


Recommended Panel Cut Out
Tolerance:±0.10mm

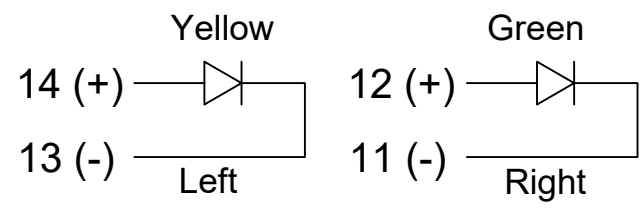
Part Number		Product Description		 www.gct.co
MGB005		Modular Jack, With Shell, With LED, With Magnetics, R/A, Through Hole, 1000Base		
Drawing Date		17th October 2025		
By	KY	Tolerances (Except as Noted)		 RoHS COMPLIANT 2011/65/EU Deca-SIDE
Detail	Drawing Release	Length	Angle	
Revision	A	X. ±0.35	X° ±3.0°	 This drawing is confidential and copyright of Global Connector Technology, Ltd (GCT). This drawing must not be copied or disclosed without written consent. E & OE
Date	17/10/25	X.X ±0.30	X.X° ±2.0°	
		X.XX ±0.25	X.XX° ±1.5°	Not to Scale Drawn By CC Sheet No. 2/4
		X.XXX ±0.10	X.XXX° ±1.0°	

H
G
F
E
D
C
B
A

PCB Side to PHY



Cable Side


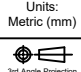



Pin	Yellow	Pin	Green
13	-	11	-
14	+	12	+

Electrical

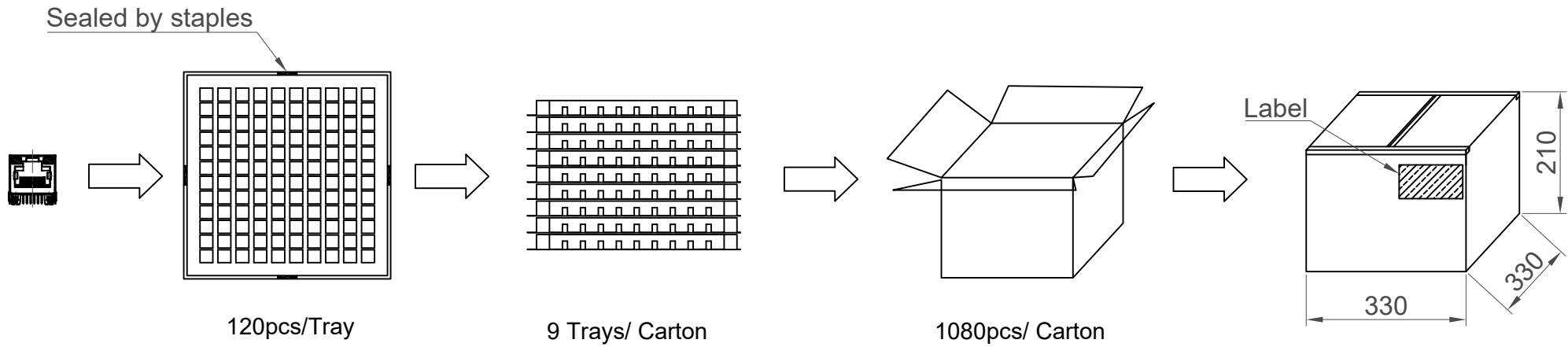
- Turn Ratio:
 - (2-3) : (J1-J2) = 1CT : 1CT (±2%)
 - (4-5) : (J3-J6) = 1CT : 1CT (±2%)
 - (6-7) : (J4-J5) = 1CT : 1CT (±2%)
 - (8-9) : (J7-J8) = 1CT : 1CT (±2%)
- OCL: 350uH min.@ 100KHz, 100mV, 8mA DC.
- Insertion Loss: 1-100MHz, -1.0dB max.
- Return Loss: 1-30MHz, -18dB min.
30-60MHz, -14dB min.
60-80MHz, -12dB min.
80-100MHz, -10dB min.
- Cross Talk: 1-30MHz, -40dB min.
30-60MHz, -35dB min.
60-100MHz, -30dB min.
- CMR: 1-100MHz, -30dB min.
- Hi-Pot: 2250V DC 6s 1mA PRI to SEC
- Speed: 10/100/1000M Base-T

LED Specification			
Standard LED Colour	Wave Length	Forward A(max)	Forward V
Green	568nm	20mA	1.85-2.45V
Yellow	585nm	20mA	1.7-2.2V



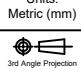

Part Number		Product Description		 www.gct.co
MGB005		Modular Jack, With Shell, With LED, With Magnetics, R/A, Through Hole, 1000Base		
Drawing Date		17th October 2025		
By	KY	Tolerances (Except as Noted)	Units:	This drawing is confidential and copyright of Global Connector Technology, Ltd (GCT). This drawing must not be copied or disclosed without written consent. E & OE
Detail	Drawing Release	Length	Angle	
Revision	A			
Date	17/10/25			
				
				Not to Scale Drawn By CC
				Sheet No. 3/4

1 2 3 4 5 6 7 8

H
G
F
E
D
C
B
A



Pcs / Tray	Trays / Carton	Total Quantity
120	9	1080 pcs

Part Number		Product Description		 www.gct.co
MGB005		Modular Jack, With Shell, With LED, With Magnetics, R/A, Through Hole, 1000Base		
Drawing Date		17th October 2025		
By		KY		
Detail	Drawing Release	Tolerances (Except as Noted)		
	Revision	Length		
Date	17/10/25	Angle		
		Units: Metric (mm)		
				 This drawing is confidential and copyright of Global Connector Technology, Ltd (GCT). This drawing must not be copied or disclosed without written consent. E & OE
				Not to Scale
				Drawn By CC
				Sheet No. 4/4

1 2 3 4 5 6 7 8