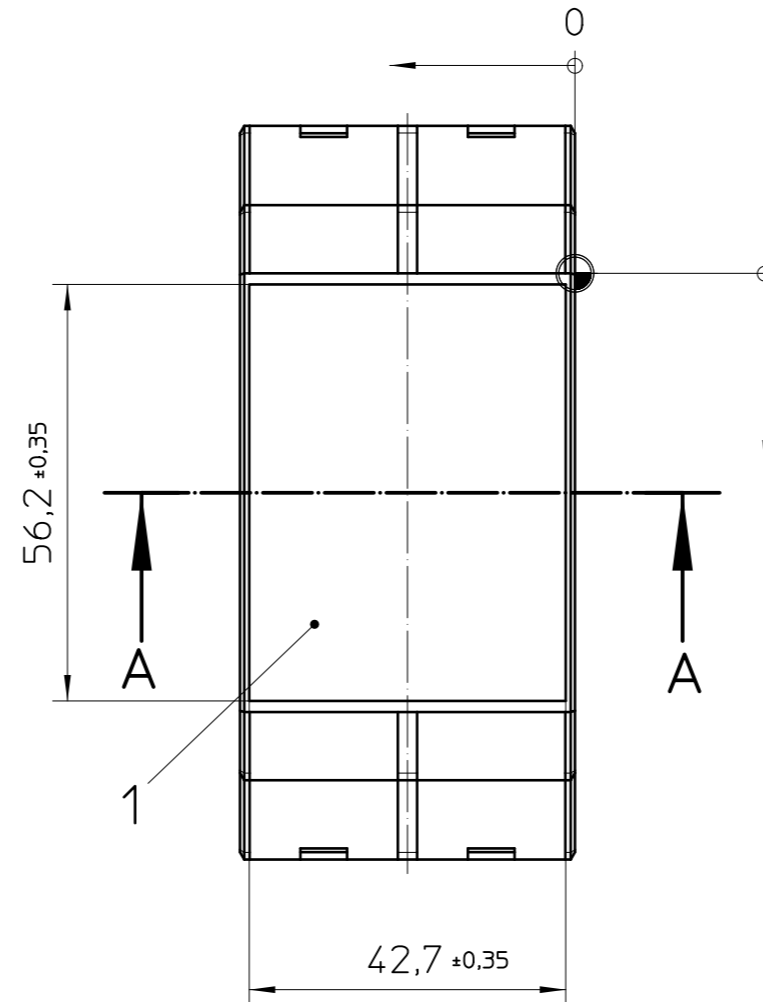
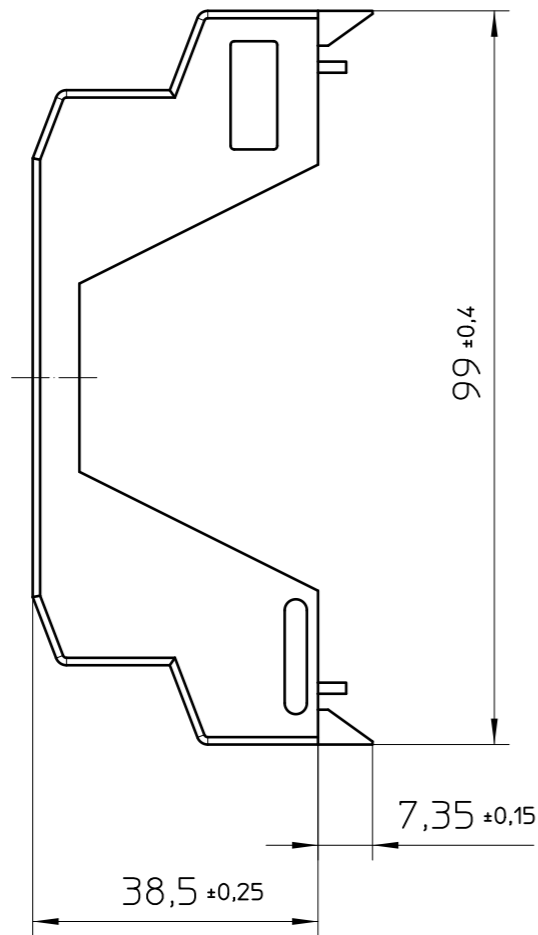
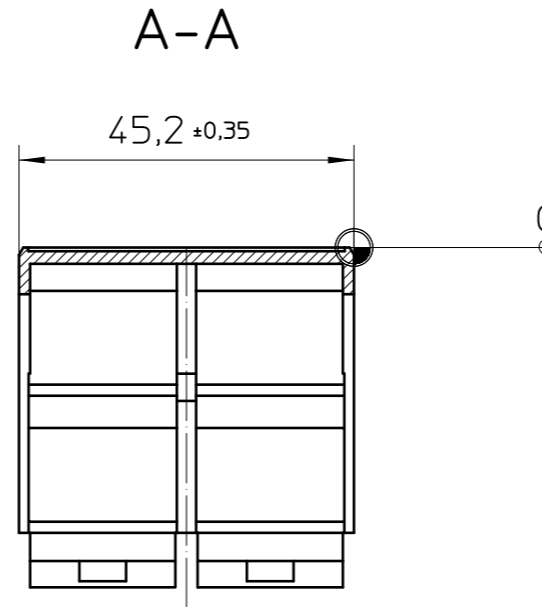
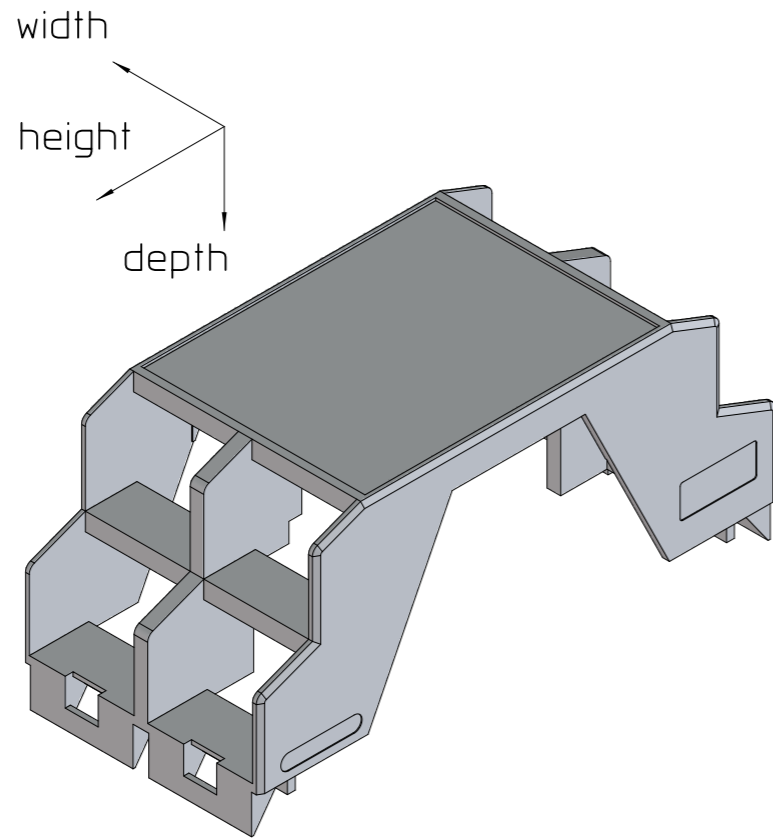


Transfer or duplication of this document as well as the utilisation or communication of its content are not permitted unless express consent is granted. Violations give rise to claims for damages. All rights reserved in case of patent, utility model or design patent registrations.

Weitergabe sowie Vervielfältigung dieses Dokuments, Verwertung und Mitteilung seines Inhalts sind verboten, soweit nicht ausdrücklich gestattet. Zuwiderhandlungen verpflichten zu Schadensersatz. Alle Rechte für den Fall der Patent-, Gebrauchsmuster- oder Designeintragung vorbehalten.



- General Information
- Simplified representation
 - Document excluded from change process
 - CAD Data see Download-Center on www.phoenixcontact.com
 - Linear dimensions [mm]
 - Tolerances, apply in a normal climate according to DIN 50014-23/50-2, with about 2% (% by weight) moisture content.

1) Marking area

⊕ Workpiece zero point for mechanical processing

	DIN A3	document-No. / RI	00847028 / 02	date	27.01.2026	scale	1:1
		ident.-No.	2854982	document-type	TECDOC 2D_Productdrawing		
page 1		of 1	description				