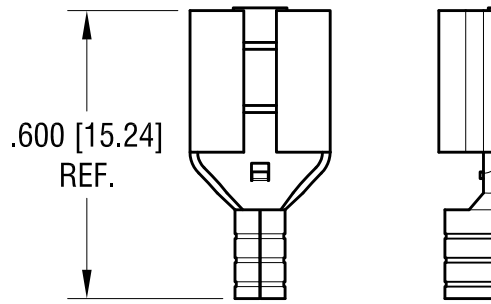
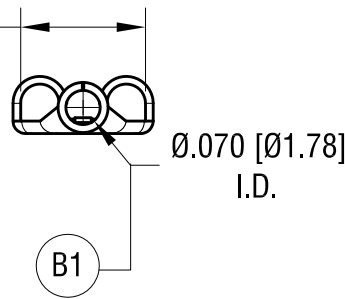


THIS DOCUMENT IS THE PROPERTY OF
KEYSTONE ELECTRONICS CORP. AND
SHALL NOT BE REPRODUCED, DISTRIBUTED
OR USED AS A BASIS FOR MANUFACTURE
WITHOUT PRIOR WRITTEN PERMISSION
FROM KEYSTONE ELECTRONICS CORP.

ACTUAL SIZE



MATES WITH
.250 [6.4] x .032 [0.81]
MALE TAB



NOTE:

1. TERMINAL: BRASS, TIN PLATE
2. ACCOMMODATES WIRE RANGE 22/18 AWG

12.28.23	NEW TOOLING CHANGE AS PER ECN 23-320	C
4.05.23	B1 WAS .080 DIA. CHANGE AS PER ECN 23-046	B
8.04.21	TERMINAL MAT'L WAS COPPER CHANGE AS PER ECN 21-076	A
DATE	DESCRIPTION	REV.

KEYSTONE ELECTRONICS CORP.			
www.keyelco.com • NEW HYDE PARK, NY 11040 • Tel (516) 328-7500			
PART NAME		SOLDERLESS QUICK-FIT TERMINAL	
MATERIAL		AS NOTED	
FINISH		DRN BY	DATE
AS NOTED		NT	8.19.08
		APP'D	SCALE
		RH	2.5X
TOLERANCES	INCH [MM]	CODE	DWG NO.
DECIMAL	± .010 [± 0.25]	C	8273
ANGULAR	± 1°		
UNLESS OTHERWISE SPECIFIED			