

MIRO 6.2 230V-1U INPUT RELAY

IN: 230 VAC/DC - OUT: 250 VAC/DC / 6 A

Art.No.: 52041

Weight: 0.034

Country of origin: CZ

Model designation: MIRO 6.2-1EING.REL.230V-1U

1 NO/NC contact

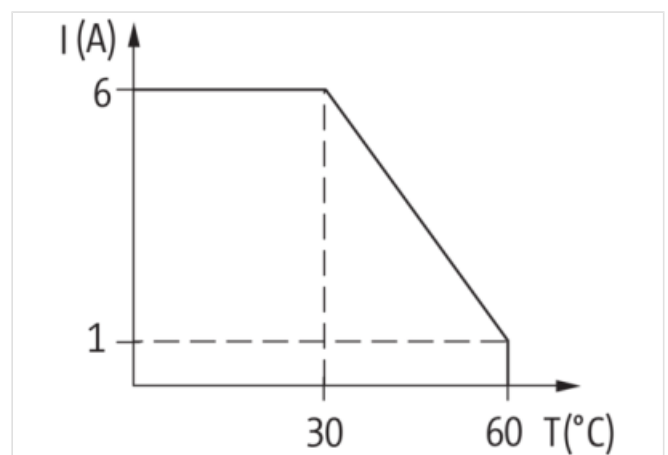
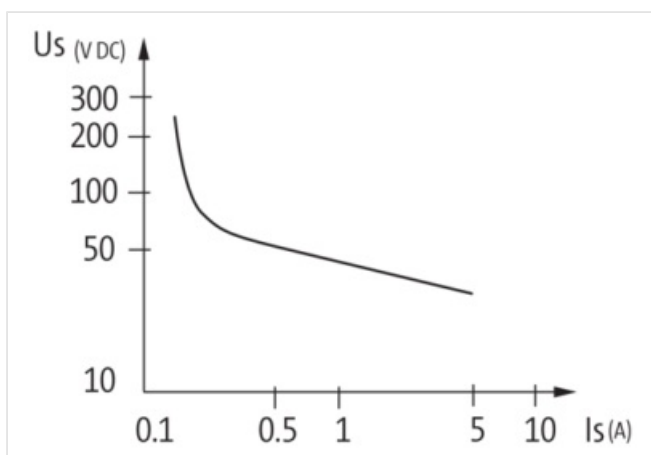
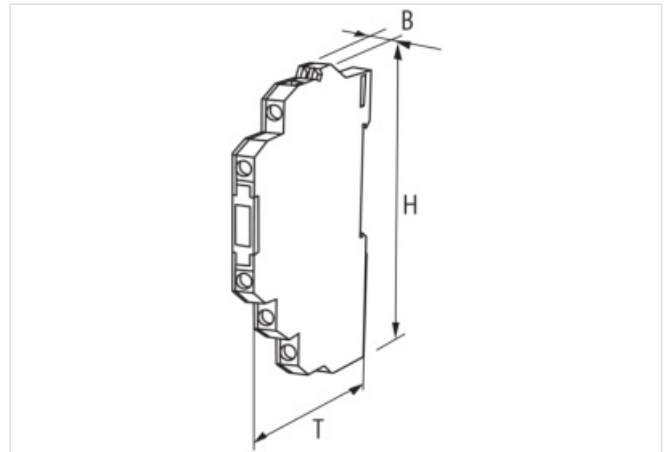
6 A

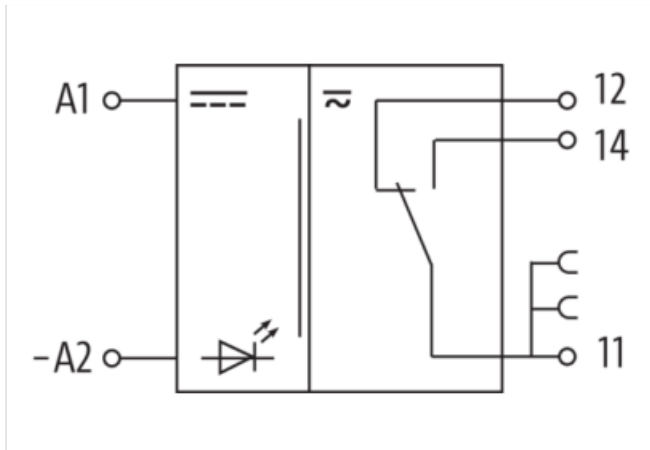
230 V AC/DC

Screw terminals

When the max. switching voltage/current is exceeded the gold plating is destroyed. The relay will then take on the properties of an output type.

safe separation (EN 60947-1)

[Link to Product](#)**Illustration**



Product may differ from Image



Header

Material short text MIRO 6.2-1EING.REL.230V-1U

Commercial data

URL Webshop <https://shop.murrelektronik.com/52041>

GTIN 4048879027168

ECLASS-6.0 27371001

ECLASS-6.1 27371601

ECLASS-7.0 27371601

ECLASS-7.1 27371601

ECLASS-8.0 27371601

ECLASS-8.1 27371601

ECLASS-9.0 27371601

ECLASS-9.1 27371601

ECLASS-10.0.1 27371601

ECLASS-10.1 27371601

ECLASS-11.0 27371601

ECLASS-11.1 27371601

ECLASS-12.0 27371601

ECLASS-13.0 27371601

ECLASS-14.0 27371601

ETIM-5.0 EC001437

ETIM-6.0 EC001437

ETIM-7.0 EC001437

ETIM-8.0 EC001437

customs tariff number 85364900

EAN 4048879027168

Packaging unit 1

Electrical data | Input

Input voltage AC 230 V

Input voltage AC min. 195 V

Input voltage AC max. 253 V

Input voltage DC 230 V

Input voltage DC min. 195 V

Input voltage DC max.	253 V
Input current	3 mA
Electrical data Output	
Switching voltage AC max.	250 V
Switching voltage DC max.	250 V
Switching current max.	6 A
Switching current DC	1 mA
Switching current per signal output max.	20 mA
Switching frequency max.	10 Hz
Power rating AC max.	1,500 VA
Power rating DC max.	120 W
Utilization category AC-12 (EN IEC 60947-5-1)	6 A @ 24 V 6 A @ 110 V 6 A @ 230 V
Utilization category AC-15 (EN IEC 60947-5-1)	3 A @ 24 V 3 A @ 110 V 3 A @ 230 V
Utilization category DC-13 (EN IEC 60947-5-1)	1 A @ 24 V 0.2 A @ 110 V 0.1 A @ 230 V
Diagnostics	
Status indication LED	yellow
Device protection	
Condition lifetime	load-dependent
Device protection Electrical	
Electrical lifetime	0 Cycles
Rated surge voltage	4 kV
Device protection Mechanical	
Mechanical endurance	0 Cycles
Mechanical data	
Response time max.	10 ms
Drop-out time max.	15 ms
Bounce time max.	15 ms
Mechanical data Material data	
Material contact	Ag Sn O2 hv
Mechanical data Mounting data	
Height	91 mm
Width	62 mm
Depth	71 mm
Mounting method	geschnappt
Suitable for mounting type	(EN 60715), mounting rail
Environmental characteristics Climatic	
Operating temperature min.	-25 °C
Operating temperature max.	60 °C
Connection type 5	
Family construction form	terminal
No. of poles	1
Gender	female
Color contact carrier	green
Connection	Screw terminals SK
PIN 1	12
Family construction form	terminal
No. of poles	1
Gender	female
Color contact carrier	green
Connection	Screw terminals SK

PIN 1	11
Family construction form	terminal
No. of poles	1
Gender	female
Color contact carrier	green
Connection	Screw terminals SK
PIN 1	14
Family construction form	terminal
No. of poles	1
Gender	female
Color contact carrier	green
Connection	Screw terminals SK
PIN 1	A 1
Family construction form	terminal
No. of poles	1
Gender	female
Color contact carrier	green
Connection	Screw terminals SK
PIN 1	A 2