

Bellows suction cup (round)

SPB4 40 SI-55 G1/2-AG

Part no...:10.01.06.03528

<https://www.schmalz.com/10.01.06.03528>

Home > Vacuum Technology for Automation > Vacuum Components > Vacuum Suction Cups > Suction Cups for the Packaging Industry > Bellows Suction Cups SPB4 (4.5 Folds) > SPB4 40 SI-55 G1/2-AG

Bellows suction cup (round) for very uneven workpieces



Size: 40

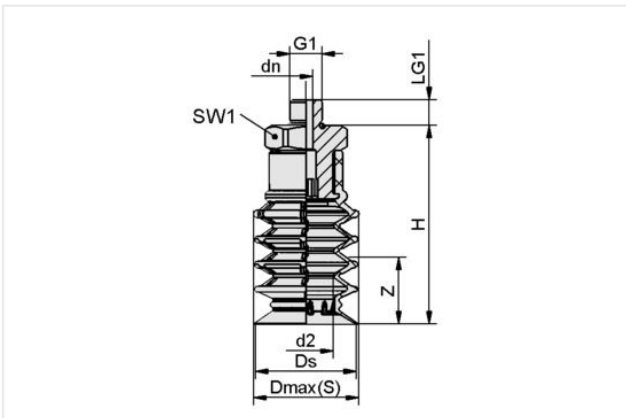
Suction cup material: Silicone SI

Material hardness [Shore A]: 55 Shore A

Thread G1: G1/2"-M

Number of folds: 4.5

Design Data



Attribute	Value
d2	23 mm
dn	15 mm
Dmax(S)	41.50 mm
Ds	40.50 mm
G1	G1/2"-M
H	73.10 mm
LG1	14 mm
SW1	27 mm
Z (Stroke)	27 mm

Technical Data

Attribute	Value
Suction force (-600mbar)	25 N
Pull-off force	39 N
Volume	35.74 cm ³
Hose diameter (empf.) d	12 mm
Number of folds	4.50
Suction cup material	Silicone SI
Material hardness [Shore A]	55 Shore A
Size	40

Contact Schmalz

Schmalz Sp.z.o.o. | ul. Fabianowska 131/A1, 62-052 Komorniki, Poland | +48 61 628 67 70 | schmalz@schmalz.pl

Bellows suction cup (round)

SPB4 40 SI-55 G1/2-AG

Part no...:10.01.06.03528

<https://www.schmalz.com/10.01.06.03528>

Weight	52 g
Product family	SPB4

Accessories



SIEB 19.5x1 MS-A2 103

Part no...:10.07.01.00321

External diameter D: 19.5 mm

Length L: 1 mm

Material: Brass / Stainless steel

Filter pore size: 103 µm



SSB 20-32 ST-VZ

Part no...:10.07.10.00003

Clamping range: 20.0 ... 32.0 mm

Material: Steel

Surface: galvanised



SPI 32 PE SPB4-40

Part no...:10.01.06.02856

Size: 32

Material: Polyethylene

Use: SPB4-40

Bellows suction cup (round)

SPB4 40 SI-55 G1/2-AG

Part no...:10.01.06.03528

<https://www.schmalz.com/10.01.06.03528>

Spare parts



SC 090 G1/2-AG

Part no...:10.01.06.02595

Connection geometry: 090

Vacuum connection: G1/2"-M

Length L1: 37.5 mm

Fitting length: 7.5 mm

Nominal diameter dn: 15 mm



SPB4 40 SI-55 SC090

Part no...:10.01.06.02590

Size: 40

Suction cup material: Silicone SI

Material hardness [Shore A]: 55 Shore A

Number of folds: 4.5