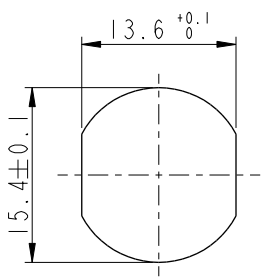


THIS DOCUMENT IS SUBJECT TO CHANGE WITHOUT NOTICE. IT IS CONFIDENTIAL AND A PROPERTY OF Amphenol LTW. DISCLOSURE TO THIRD PARTY HAS TO BE AUTHORIZED BY Amphenol LTW.

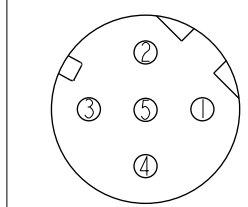
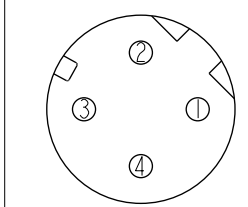
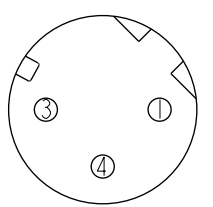
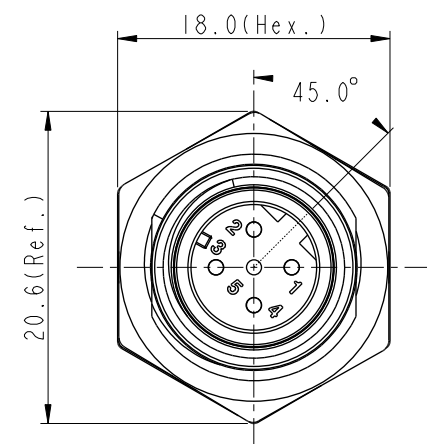
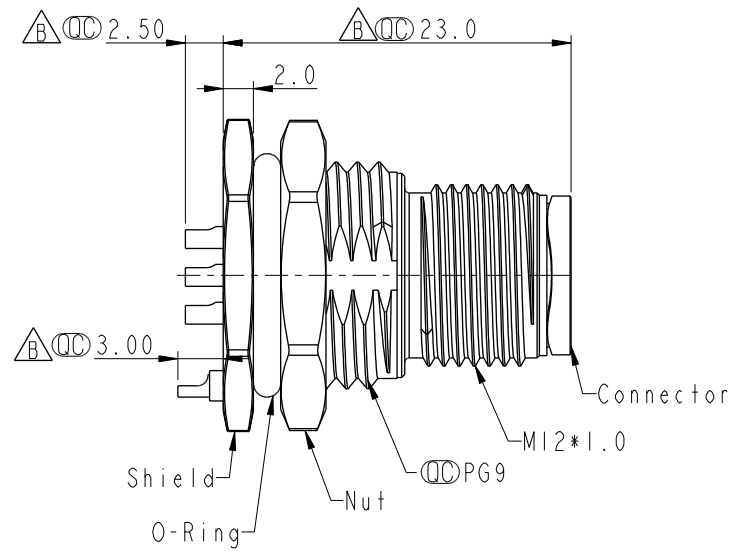
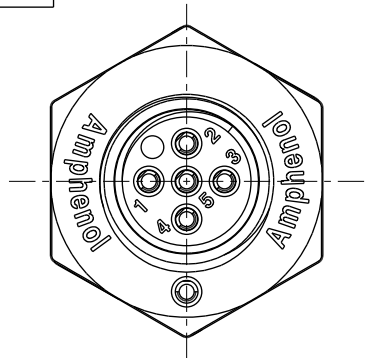
REV.	ECN NO.	DATE	SIGN	DESCRIPTION
D	C221973	2022/12/26	Ruru	$\triangle D$ XI
E	C231034	2023/08/10	Ruru	$\triangle E$ XI
F	C251212	2025/09/30	Vicky	$\triangle F$ XI



$\triangle B$  MSDS-XXPMMS-SF8001

XX: No. Of Pin

Recommended Panel Cut-Out



3P

4P

5P

Pin Assignment Front View

- $\triangle B \triangle C$  Note:
- \* RoHS Compliant
  - \*  $\text{CC}$  Important dimension
  - $\triangle D$  \* Waterproof rate: IP68, unmated 1m/24h  
 $\triangle E$  IP69K, mated
  - \* Connector  
 Housing: Thermoplastic, Black  
 Pin: Copper alloy, Gold plated
  - \* Shield: Metal
  - \* Nut: Metal
  - \* O-Ring: Rubber, Black
  - \* For panel thickness max: 4.5mm
  - $\triangle F$  \* The Nut Is Packed Separately In The Bag

UNIT: mm			TITLE N SEN, M12 D -SHLD, SCREW RECEPTACLE, M, M, SOLDER
TOLERANCE .X ±0.25 .XX ±0.1 .XXX ±0.05 ANGLES ±1°			SCALE 3:2 SIZE A4 SHEET 1 OF 1
			REV. F WC-REV. A.5 $\text{CC}$ : Inspection item

**Amphenol LTW**  
安費諾亮泰企業股份有限公司

ITEM NO	DRAWN BY Vicky	DATE 2025-09-30
DWG NO $\triangle B$ MSDS-XXPMMS-SF8001	CHECKED BY Ruru	DATE 2025-09-30
CUSTOMER ALTW	APPROVED BY Rita	DATE 2025-09-30