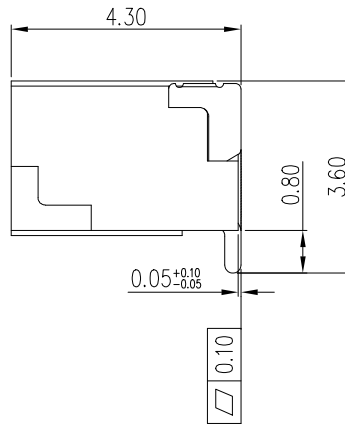
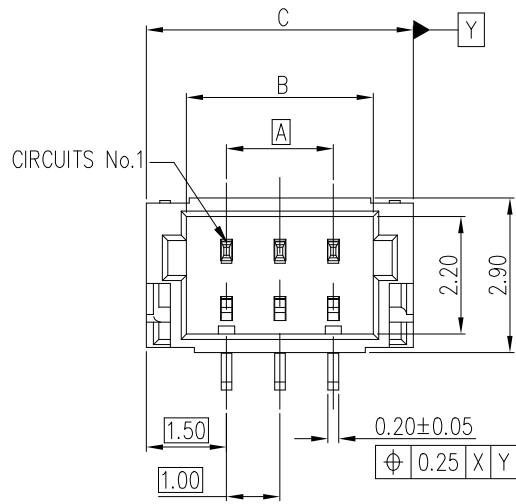


RECOMMENDED PCB LAYOUT
GENERAL TOLERANCE ±0.05



NOTES:

- MATERIAL SPECIFICATION
 - INSULATION: PA9T UL 94V-0.
 - CONTACT: THICK 0.20mm BRASS.
 - SOLDER TAB: THICK 0.20mm BRASS.
- PLATING SPECIFICATION
 - CONTACT: MATTE TIN/GOLD PLATED.
 - SOLDER TAB: MATTE TIN PLATED.
- PRODUCT SPEC: GS-12-1465
- PACKAGING SPEC: GS-14-2613
- USE WITH AFCI HOUSING 10147603
- THIS HOUSING WILL WITHSTAND EXPOSURE TO 260°C PEAK TEMP FOR 10S IN A REFLOW OVEN.
- BILL OF PART NO:
10147605 - X X X XX LF

MATERIAL
0: PA9T NATURAL
1: PA9T BLACK

PLATING
0: MATTE TIN
1: GOLD FLASH

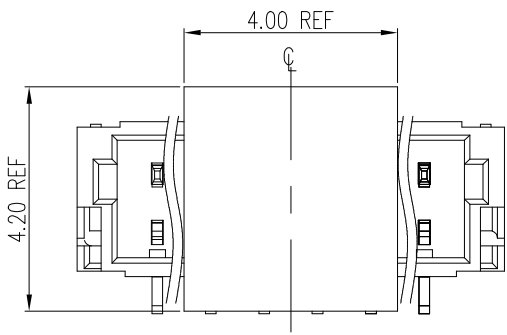
LEAD FREE
TOTAL POSITIONS
02 TO 20

PACKAGING
0: TAPE&REEL
Q: TAPE&REEL WITHOUT COVER(CUSTOMIZED)

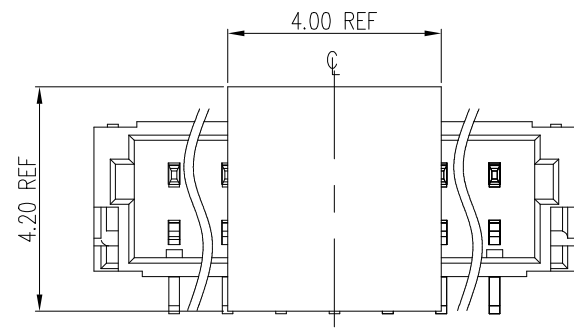
DIMENSIONAL

POS	A	B	C	D	POS	A	B	C	D
2	1.00	2.50	4.00	3.30	12	11.00	12.50	14.00	13.30
3	2.00	3.50	5.00	4.30	13	12.00	13.50	15.00	14.30
4	3.00	4.50	6.00	5.30	14	13.00	14.50	16.00	15.30
5	4.00	5.50	7.00	6.30	15	14.00	15.50	17.00	16.30
6	5.00	6.50	8.00	7.30	16	15.00	16.50	18.00	17.60
7	6.00	7.50	9.00	8.30	17	16.00	17.50	19.00	18.30
8	7.00	8.50	10.00	9.30	18	17.00	18.50	20.00	19.30
9	8.00	9.50	11.00	10.30	19	18.00	19.50	21.00	20.30
10	9.00	10.50	12.00	11.30	20	19.00	20.50	22.00	21.30
11	10.00	11.50	13.00	12.30					

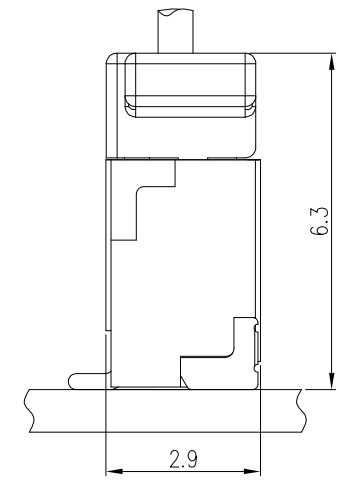
mat'l. code		surface ISO 1302		tolerance ISO 406 ISO 1101		projection		product family	
ltr		ecn no		dr		date		title	
B		ELX-N-34989		Jason		2019/9/27		1.0mm Vertical Header	
								scale 1:1	
				dr		TONY LENG		2018-03-19	
				engr		Jason Wang		2019-09-027	
				chr					
				appd		TIM YAO		2019-09-27	
sheet index		revision sheet		B		B		dwg no	
1		2						sheet 1 of 2	
								size	
								A3	
								type	
								Product Customer Drawing	



POS 2,4,6,8,10,12,14,16,18,20



POS 3,5,7,9,11,13,15,17,19



ASSEMBLY LAYOUT
TOP ENTRY TYPE

mat'l. code		surface ISO 1302 ✓		tolerance ISO 406 ISO 1101		projection		product family	
ltr		ecn no		dr		date		title	
B		ELX-N-34989		Jason		2019/9/27		1.0mm Vertical Header	
								sheet 2 of 2	
								size A3	
								dwg no 10147605	
								type Product Customer Drawing	
sheet index		revision sheet		B B					
				1 2					