

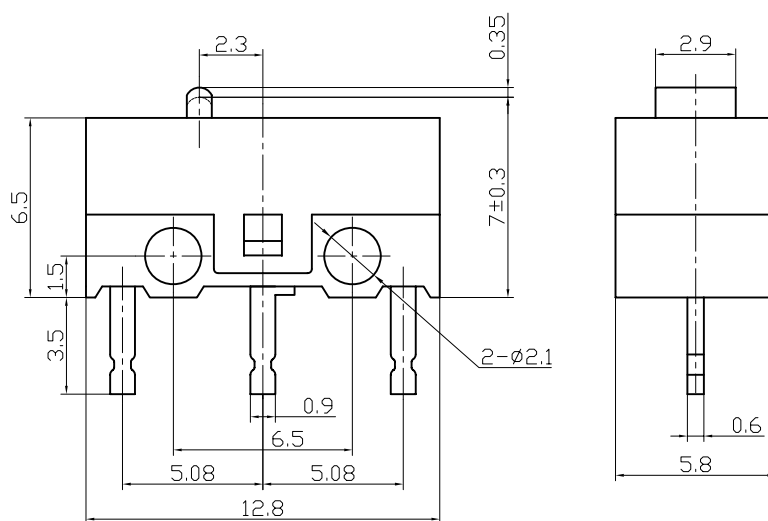
Micro Switches

MSW-21

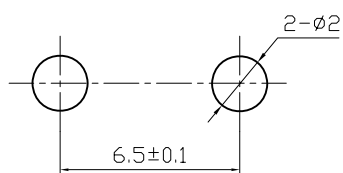
(Specification)

(Rating): 1A 125/250V AC
(Contact R): 30mΩ max
(Insulation R): 250V DC 100MΩ min
(Dielectric Strength): 1 Minute 1000V AC
(Ambient Temperature): -25°C ~ +65°C
(Electrical Life): 30,000 Cycles

(Outline Drawing)



(Mounting)



(Circuitry)

