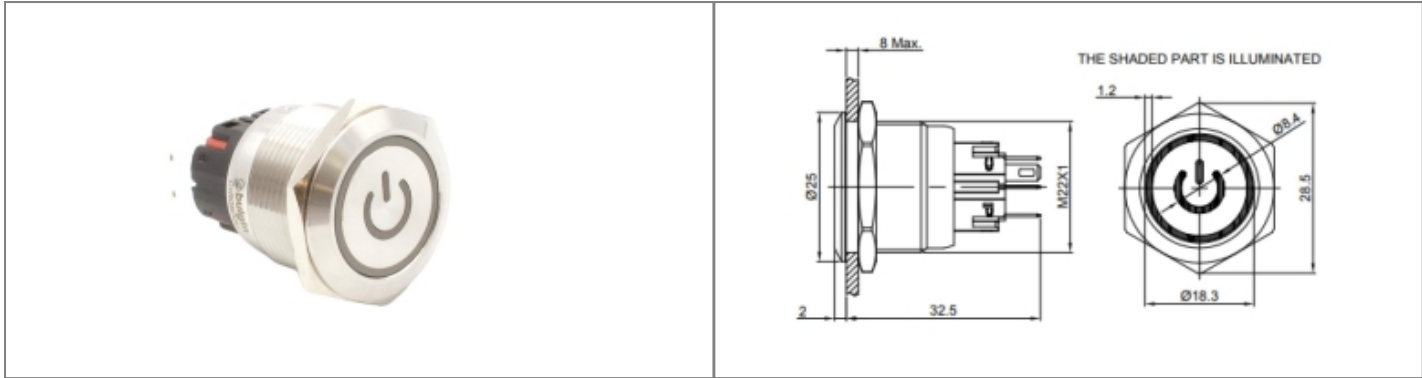


**Product Name // MP22SLPINRG012S5 Power Symbol Illumination Vandal Resistant Switch**

[View Product Page](#)



**// Product Description:**

- ⬡ MP22 Range
- ⬡ Green
- ⬡ SPDT
- ⬡ 12V
- ⬡ Latching
- ⬡ Stainless Steel
- ⬡ Power Symbol Illumination
- ⬡ IP65

**// General Information:**

<p><b>Product Display Title:</b></p> <p><b>Product Family:</b></p> <p><b>Product Series:</b></p> <p><b>Bezel Finish:</b></p> <p><b>Body Colour:</b></p> <p><b>Body Material:</b></p> <p><b>Body Material Type:</b></p> <p><b>Current Rating:</b></p> <p><b>Diameter:</b></p> <p><b>Dielectric Withstanding Voltage:</b></p> <p><b>Durability:</b></p> <p><b>Function:</b></p> <p><b>Illumination Colour:</b></p> <p><b>Illumination Shape:</b></p> <p><b>Illumination Voltage:</b></p> <p><b>Ip Rating:</b></p> <p><b>Lamp Type:</b></p> <p><b>Material Finish:</b></p> <p><b>Max Operating Temperature:</b></p> <p><b>Min Operating Temperature:</b></p> <p><b>Max Panel Thickness:</b></p> <p><b>Operating Humidity:</b></p> <p><b>Panel Cut Out:</b></p> <p><b>Rohs Compliant:</b></p> <p><b>Switch Body Colour:</b></p> <p><b>Switch Body Material:</b></p> <p><b>Switch Button Colour:</b></p> <p><b>Switch Button Material:</b></p> <p><b>Switch Circuit:</b></p> <p><b>Switch Series:</b></p> <p><b>Switch Shape:</b></p> <p><b>Switch Type:</b></p> <p><b>Switching Type:</b></p> <p><b>Thread Size:</b></p>	<p>Power Symbol Illumination Vandal Resistant Switch</p> <p>Switch Range</p> <p>Vandal Resistant Switches</p> <p>Machined</p> <p>Stainless Steel</p> <p>Stainless Steel</p> <p>Metal</p> <p>5A 250V</p> <p>22mm</p> <p>1500V</p> <p>50,000</p> <p>Push Button Switch</p> <p>Green</p> <p>Power Symbol</p> <p>12V</p> <p>IP65</p> <p>LED</p> <p>Machined</p> <p>55°C</p> <p>-25°C</p> <p>8mm</p> <p>45~85 RH(Non condensing)</p> <p>22mm Diameter circle</p> <p>Yes</p> <p>Stainless Steel</p> <p>Stainless Steel</p> <p>Stainless Steel</p> <p>Stainless Steel</p> <p>SPDT</p> <p>MP22</p> <p>Round</p> <p>Pushbutton</p> <p>Latching</p> <p>M22</p>
--	--

**// Product PDF Links**

[22mm Vandal Resistant Switch](#)

**// Product 3D CAD Model Links**

[MP22SLPINRG012S53D CAD Model](#)