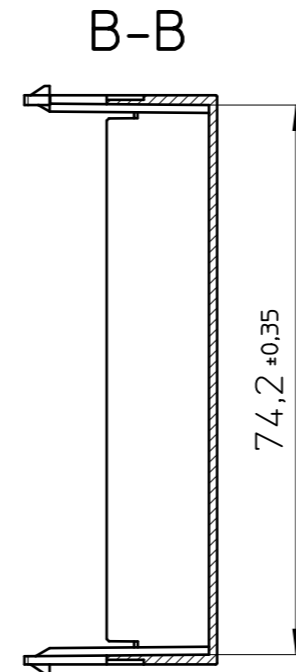
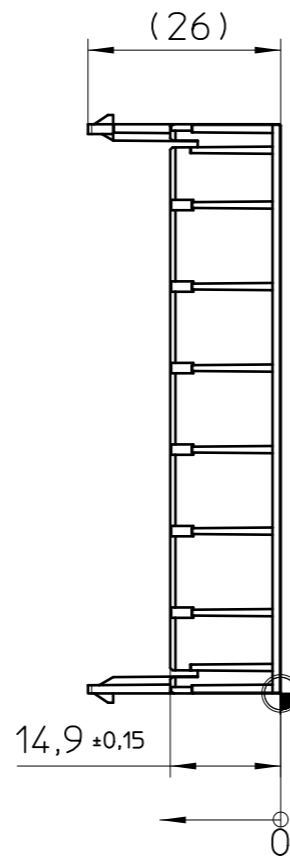
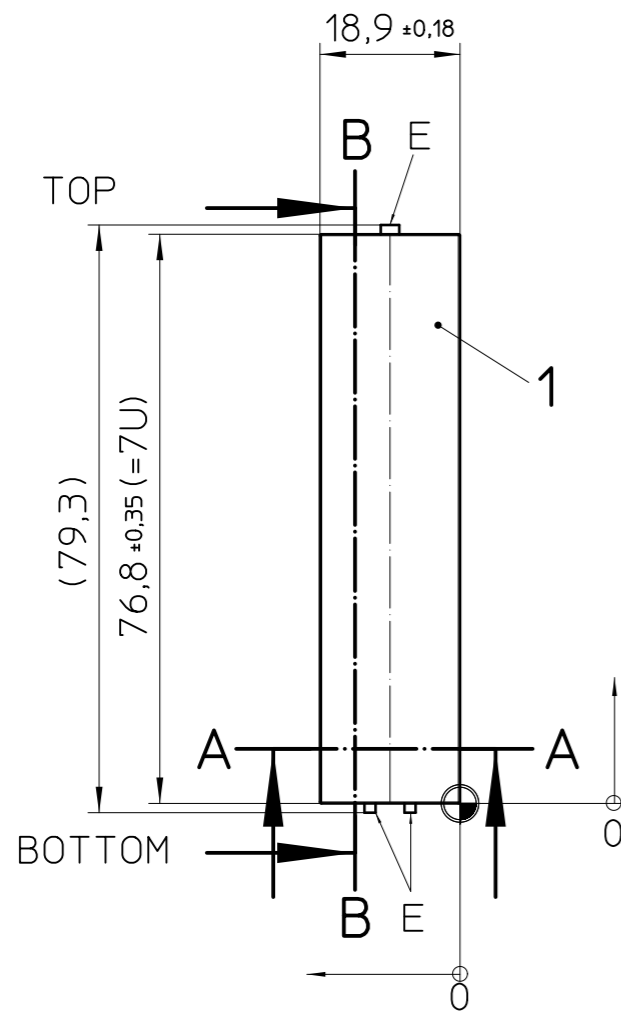
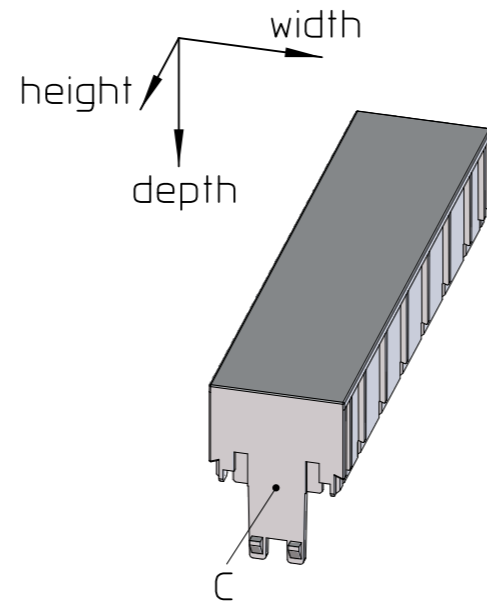
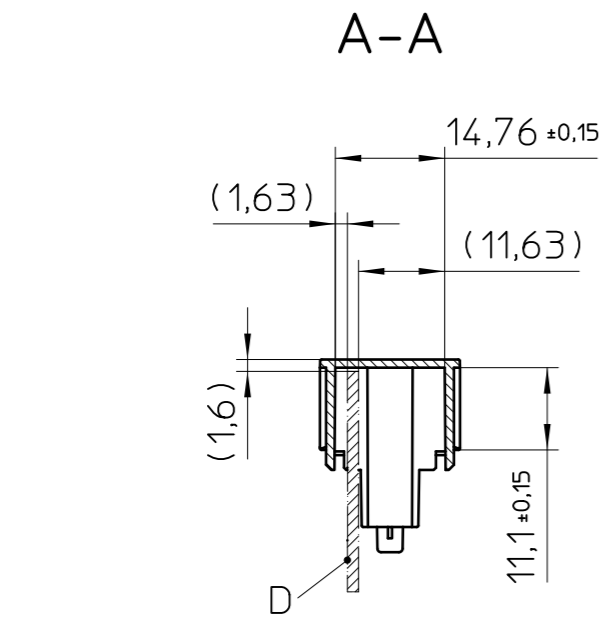
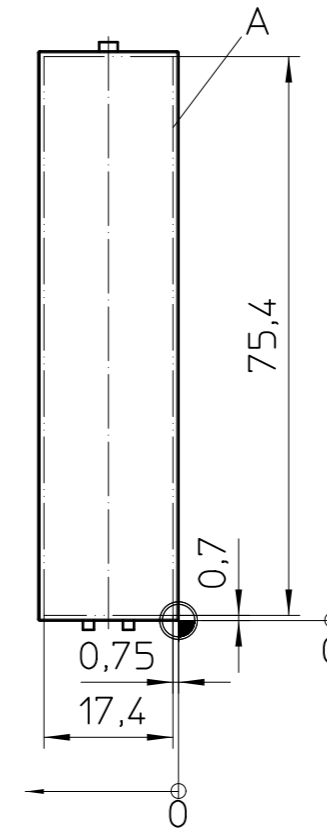


Transfer or duplication of this document as well as the utilisation or communication of its content are not permitted unless express consent is granted. Violations give rise to claims for damages. All rights reserved in case of patent, utility model or design patent registrations.

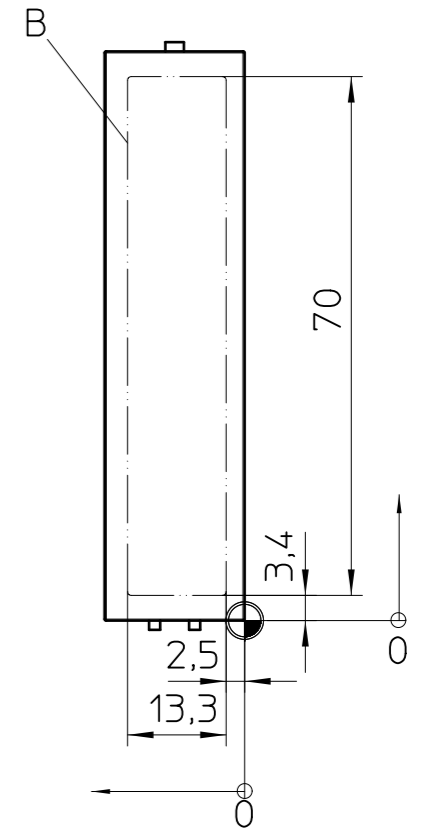
Weitergabe sowie Vervielfältigung dieses Dokuments, Verwertung und Mitteilung seines Inhalts sind verboten, soweit nicht ausdrücklich gestattet. Zuwiderhandlungen verpflichten zu Schadensersatz. Alle Rechte für den Fall der Patent-, Gebrauchsmuster- oder Designeintragung vorbehalten.



Marking area



Machining area



General Information:

- Simplified representation, exemplary shown in gray.
- Document excluded from change process
- Units are in millimeters [mm] and degrees [°]
- Tolerances apply in a normal climate according to DIN EN ISO 291-23/50-2, PA plastic parts with about 2% (% by weight) moisture content.
- Workpiece zero point for mechanical processing
- Tolerances for marking and machining DIN ISO 2768-m
- For milling > 50% of the machining area, the machinability should be verified.
- In case of distortion there is no functional impact of the single part in the application.
- Web: www.phoenixcontact.com webcode: #1635

Additional Information:

- A. Max. marking area
- B. Max. marking area (minimum radii R0,5)
- C. Bottom side
- D. PCB position (t=1,5)
- E. Latching point between Cover and Housing

ME-IO 18,8 C 7U			
Pos.	QTY	Description	Material
1	1	COVER	PA

DIN A3 	document-No. / RI 01185900 / 03	date 29.04.2025	scale 1:1
	ident.-No. 2201805	document-type TECDCOC 2D_Productdrawing	
description ME-IO 18,8 C 7U 7035			