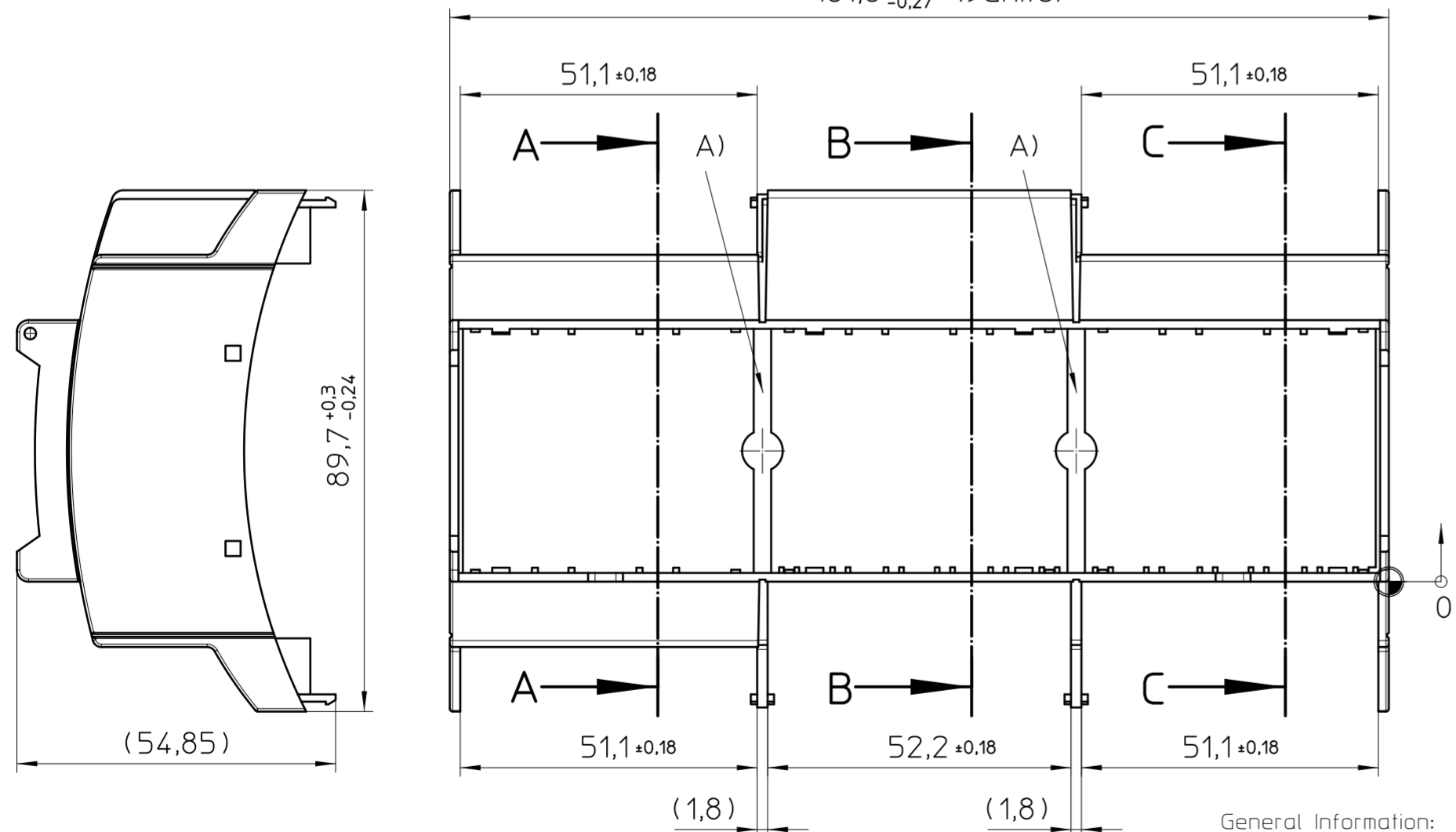
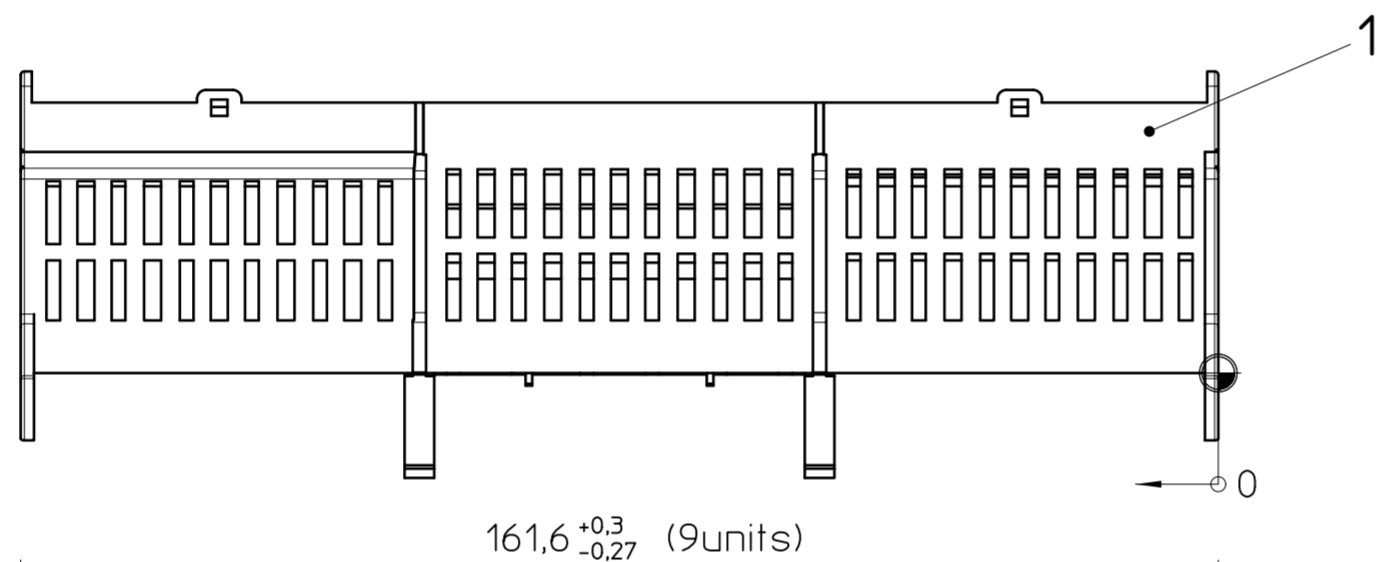
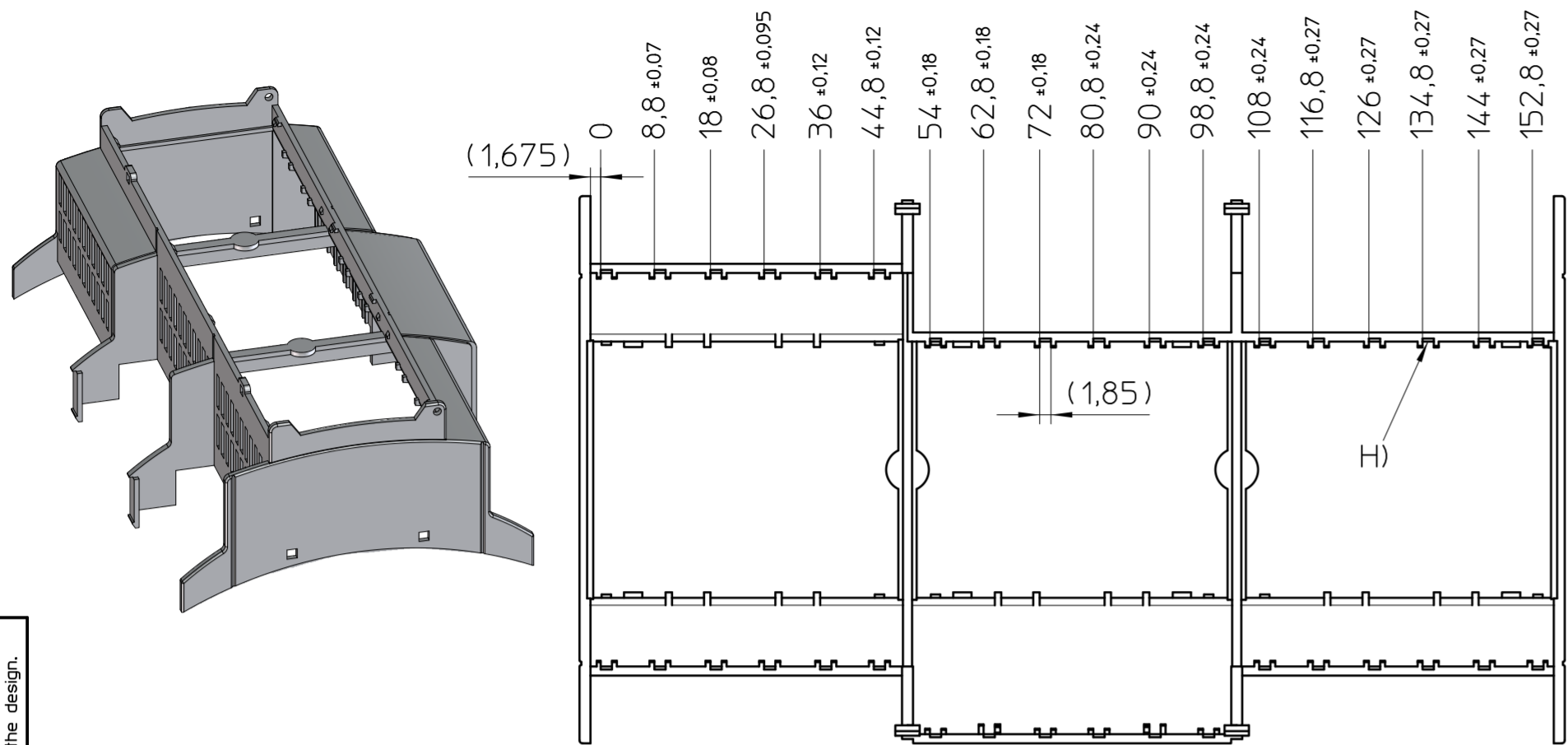


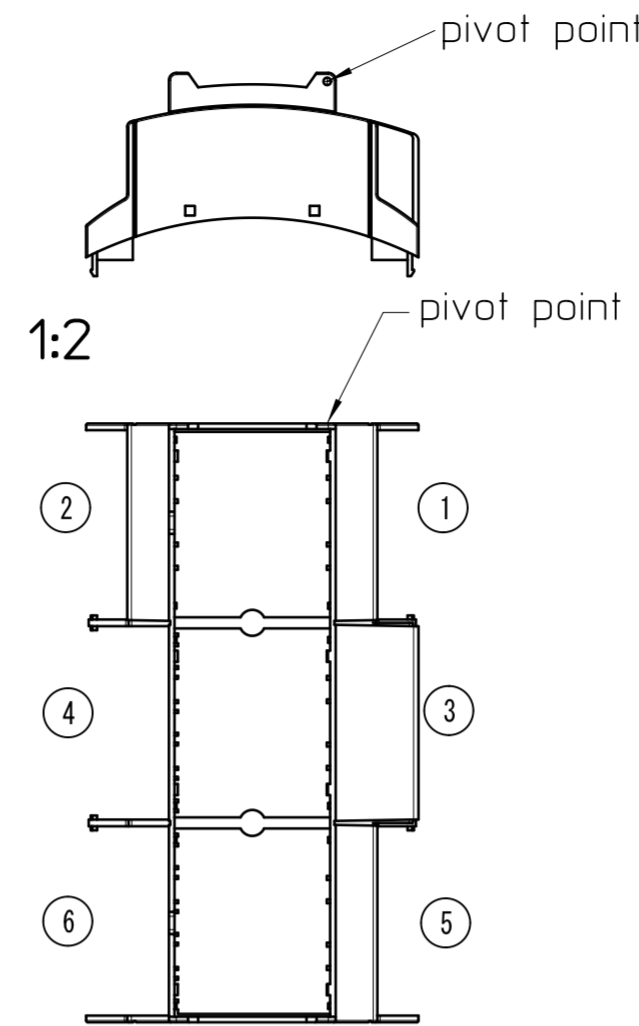
# HOUSING UPPER PART



### General Information:

- Tolerances apply in a normal climate according to DIN EN ISO 291-23/50-2
- Further information: [www.phoenixcontact.com](http://www.phoenixcontact.com)
- = Workpiece zero point for mechanical processing
- Tolerances for mechanical processing are ISO 2768-mK
- Tolerances for printing DIN ISO 2768-m
- Machining radii min. R1, further on request

# Configuration example

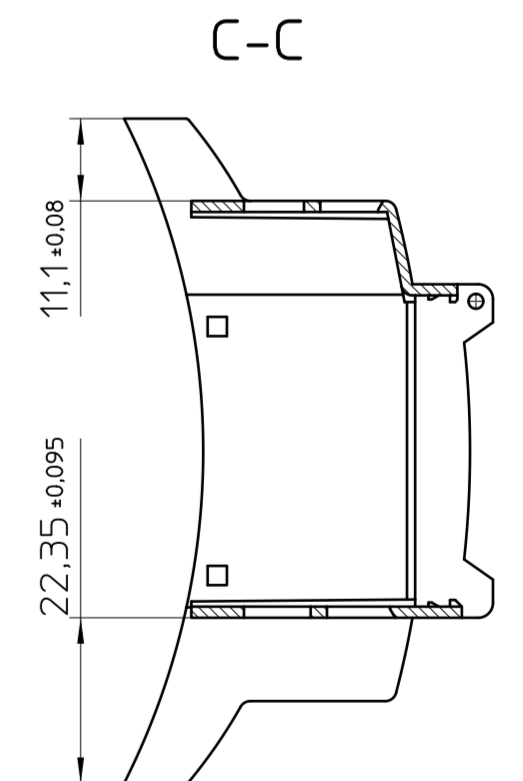
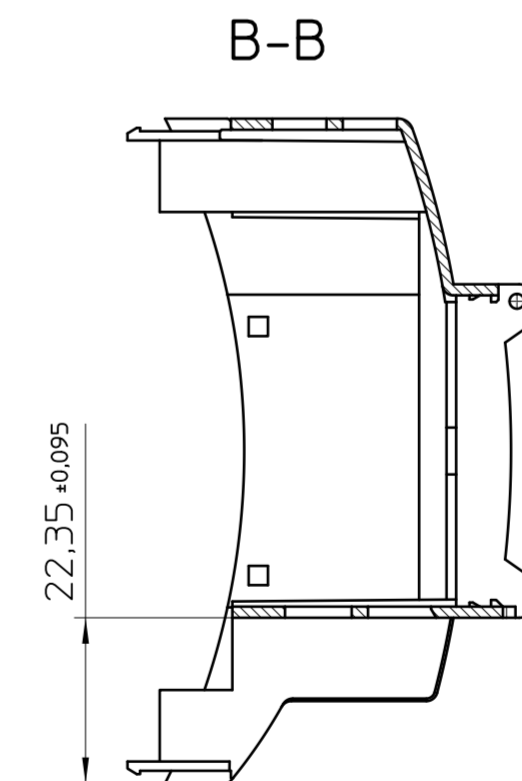
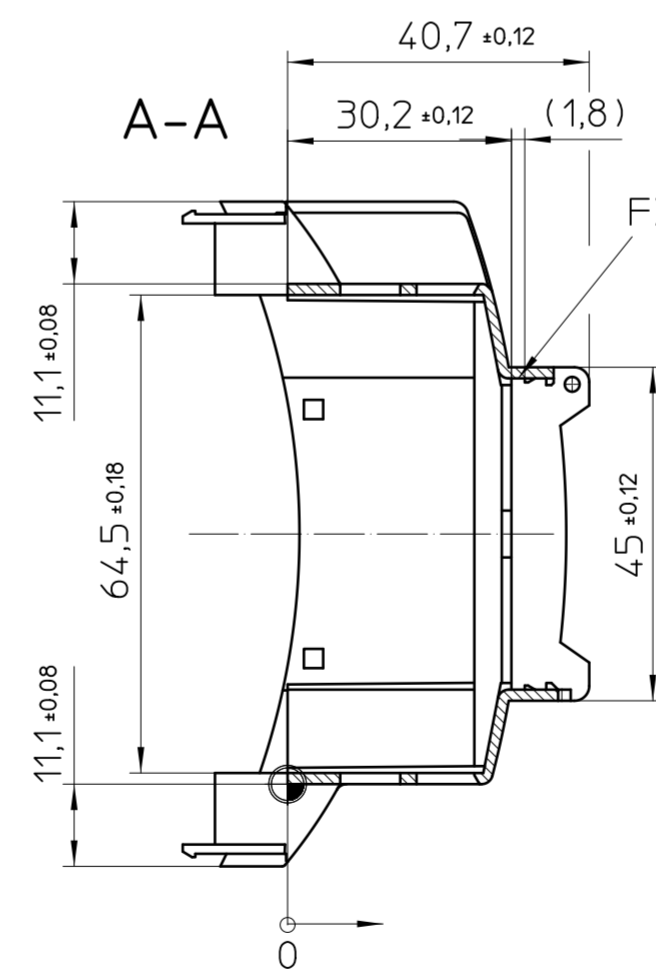
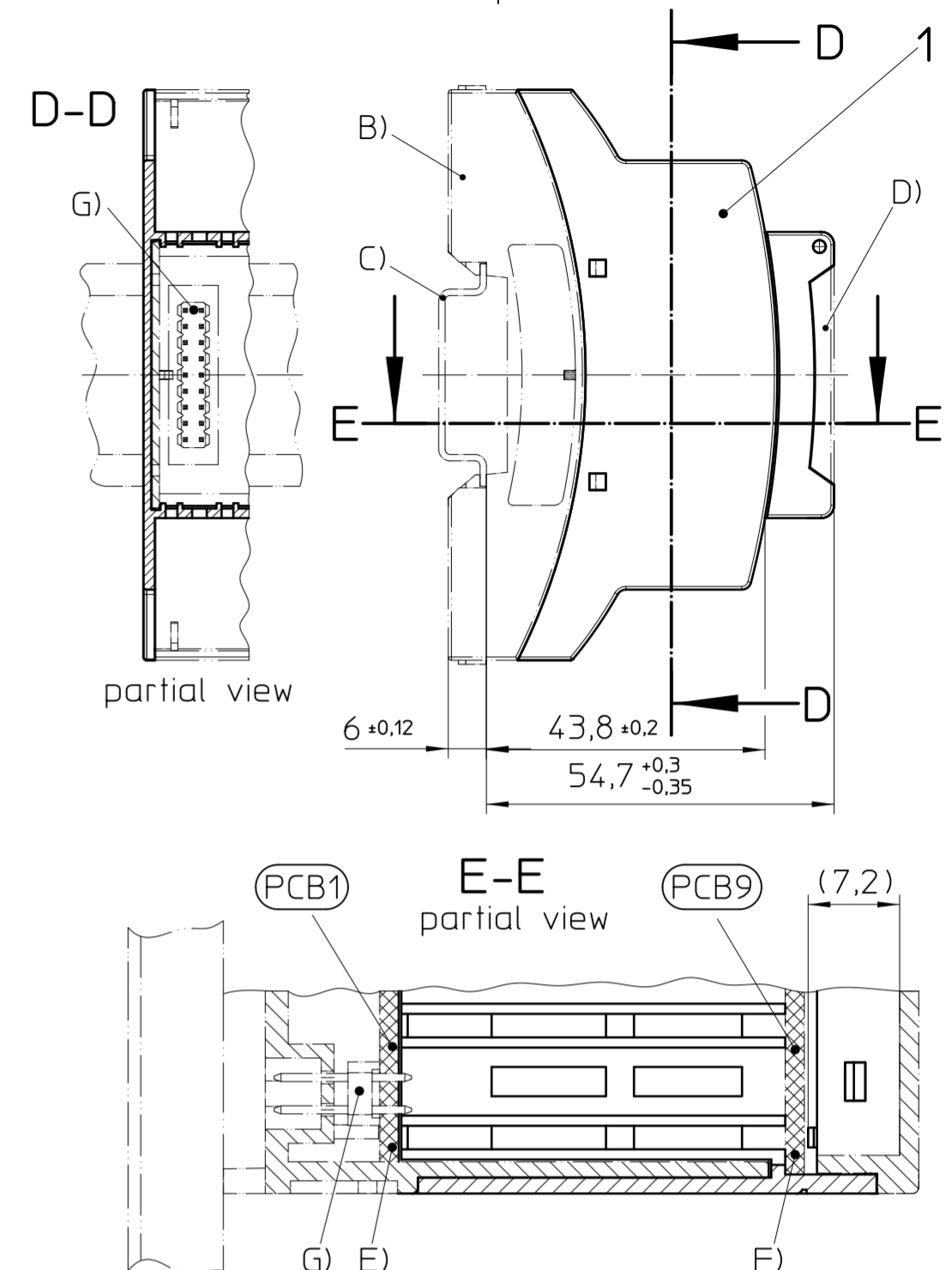


Order code  
(representation example)  
BC 161,6 OT 110212

BC 161,6 OT 1 1 0 2 1 2  
 1 2 3 4 5 6  
 Terminal installation depth: 0=0mm, 1=11mm, 2=22mm

# Assembly example

Overall dimensions compliant DIN 43880



### Additional Information:

- A) If PCB 7+8 used, the fin has to be removed
- B) Housing lower part BC...UT HBUS...
- C) Mounting rail like EN 60715: TH 35-7,5 or mounting rail TH 35-15x1,5 similar to EN 60715
- D) Cover BC...DKL R... or BC...DKL S...
- E) PCB 1 (main PCB)
- F) Position for PCB 9 or position for plate
- G) Plug for HBUS (PSTD 0,65X0,65/9-2,54)
- H) PCB guidance for vertical PCB 11

Pos.	QTY	Description	Material
1	1	MODULAR UPPER HOUSING	PC

document-no. / ri	article-no.	scale	- Simplified representation - Document excluded from change process - Linear dimensions (mm)
01260511 / 01	2202224	1:1	
date	document-type		
04.02.2025	TECDOC 2D_Productdrawing		
description		BC 161,6 OT 020001 KMGY MOQ100	
page 1	of 1		

Transfer or duplication of this document as well as the utilisation or communication of its content are not permitted unless express consent is granted. Violations give rise to claims for damages. All rights reserved in case of patent, utility model, or design patent registrations. Tolerance specifications do not include clearances inherent in the design.

Weitergabe sowie Vervielfältigung dieses Dokuments, Verwertung und Mitteilung seines Inhalts sind verboten, soweit nicht ausdrücklich gestattet. Zuwiderhandlungen verpflichten zu Schadensersatz. Alle Rechte für den Fall der Patent-, Gebrauchsmuster- oder Designeintragung vorbehalten. Bauabfertigung ist in den Toleranzangaben nicht berücksichtigt.