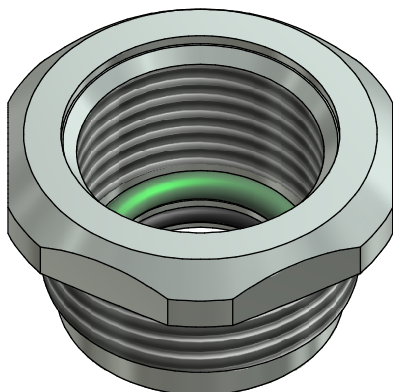
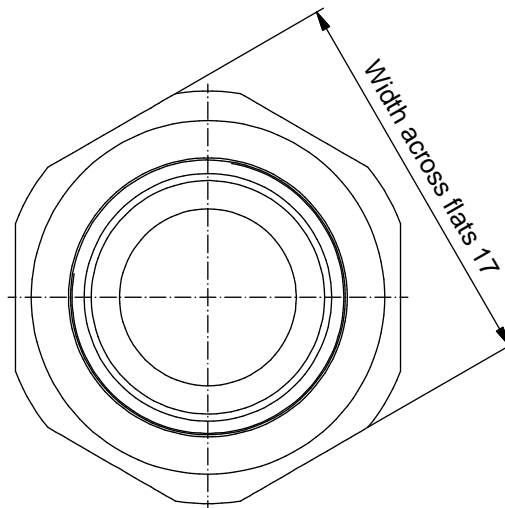
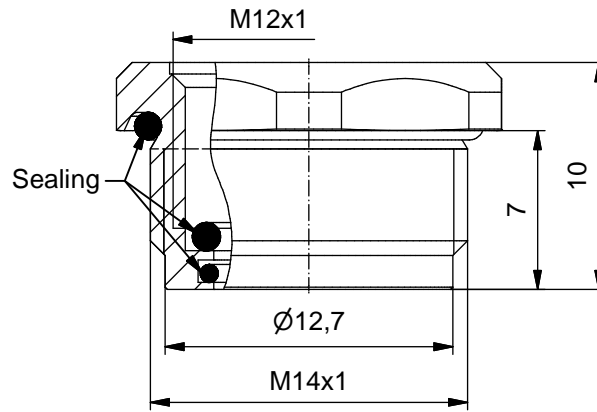


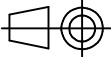

Materials:

Material housing: CuZn

Plating housing: Nickel gal.

Sealing: FKM



DO NOT ALTER CAD DRAWING BY HAND Directive 2002/95/EC RoHS compliant		 dim. in mm	title: Housing female M14x1 H13
		date name	
		drawn 24.01.13 Kniesburgers	dwg no: 43K1A1860
		appd. 24.01.13 Mankopf	
	general tolerance: 0 ± 0,50mm 0,0 ± 0,25mm 0,00 ± 0,10mm		part no: 43-02130

THIS DRAWING MAY NOT BE COPIED OR REPRODUCED IN ANY WAY, AND MAY NOT BE PASSED ON TO A THIRD PARTY WITHOUT WRITTEN PERMISSION. OWNERSHIP AND COPYRIGHT OF CONEC GmbH