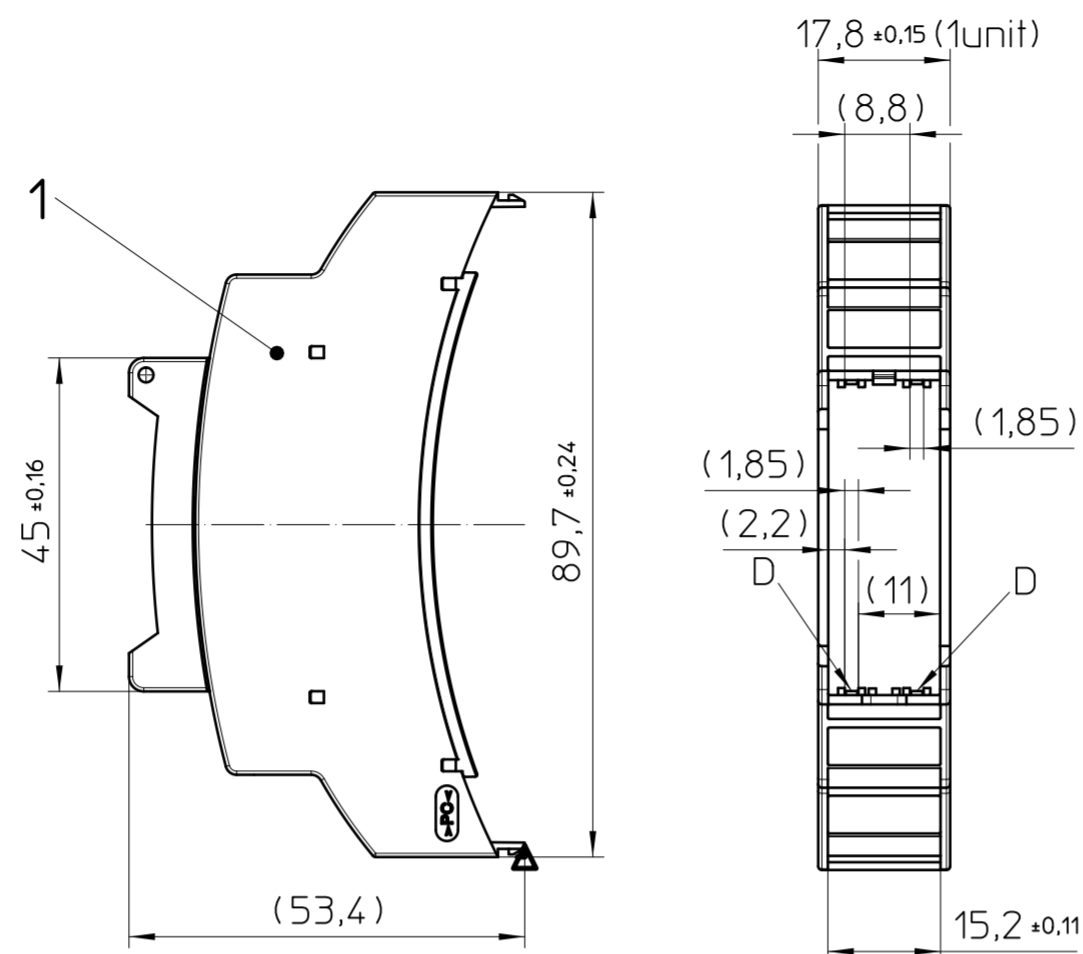
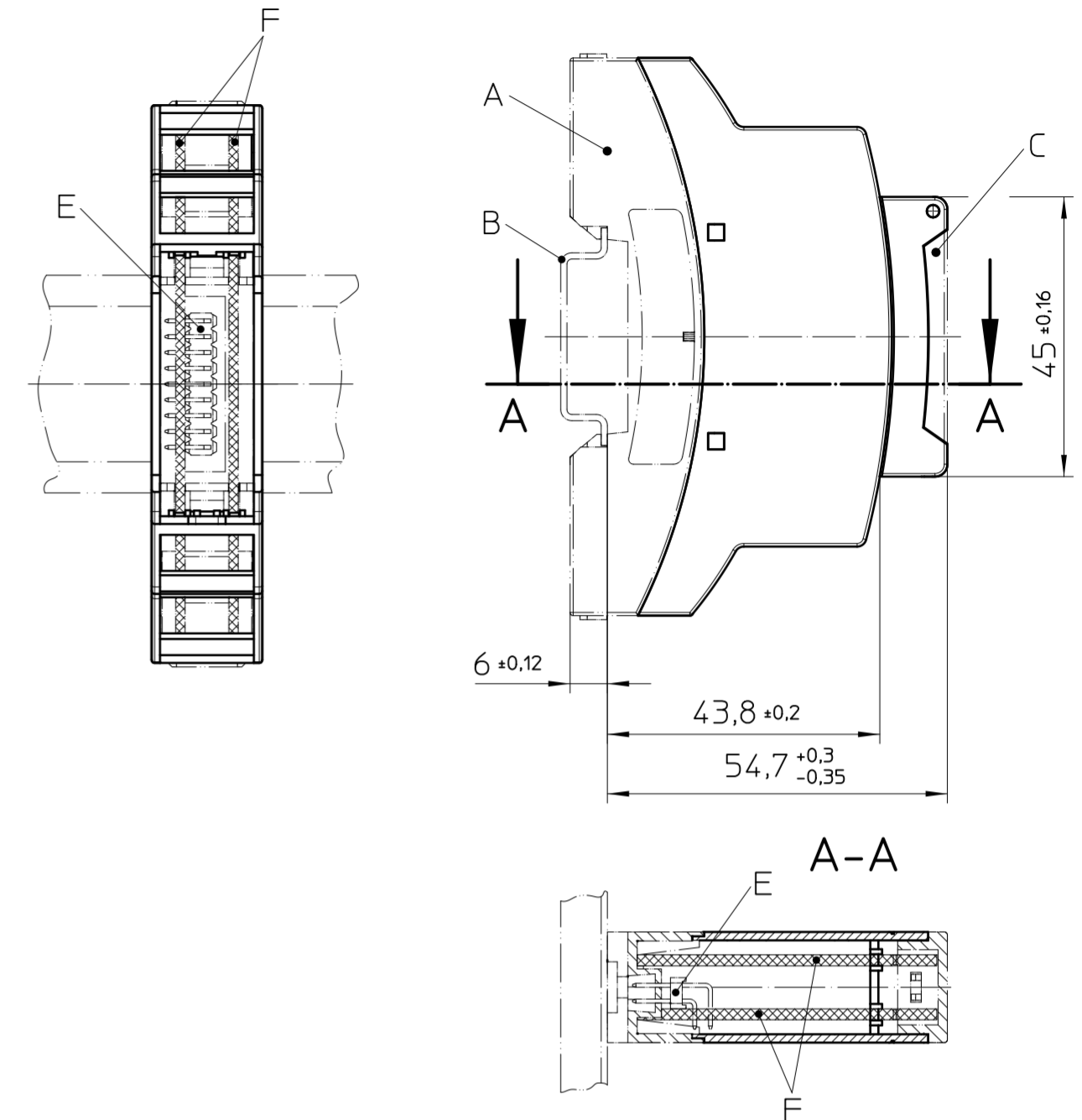


# HOUSING UPPER PART

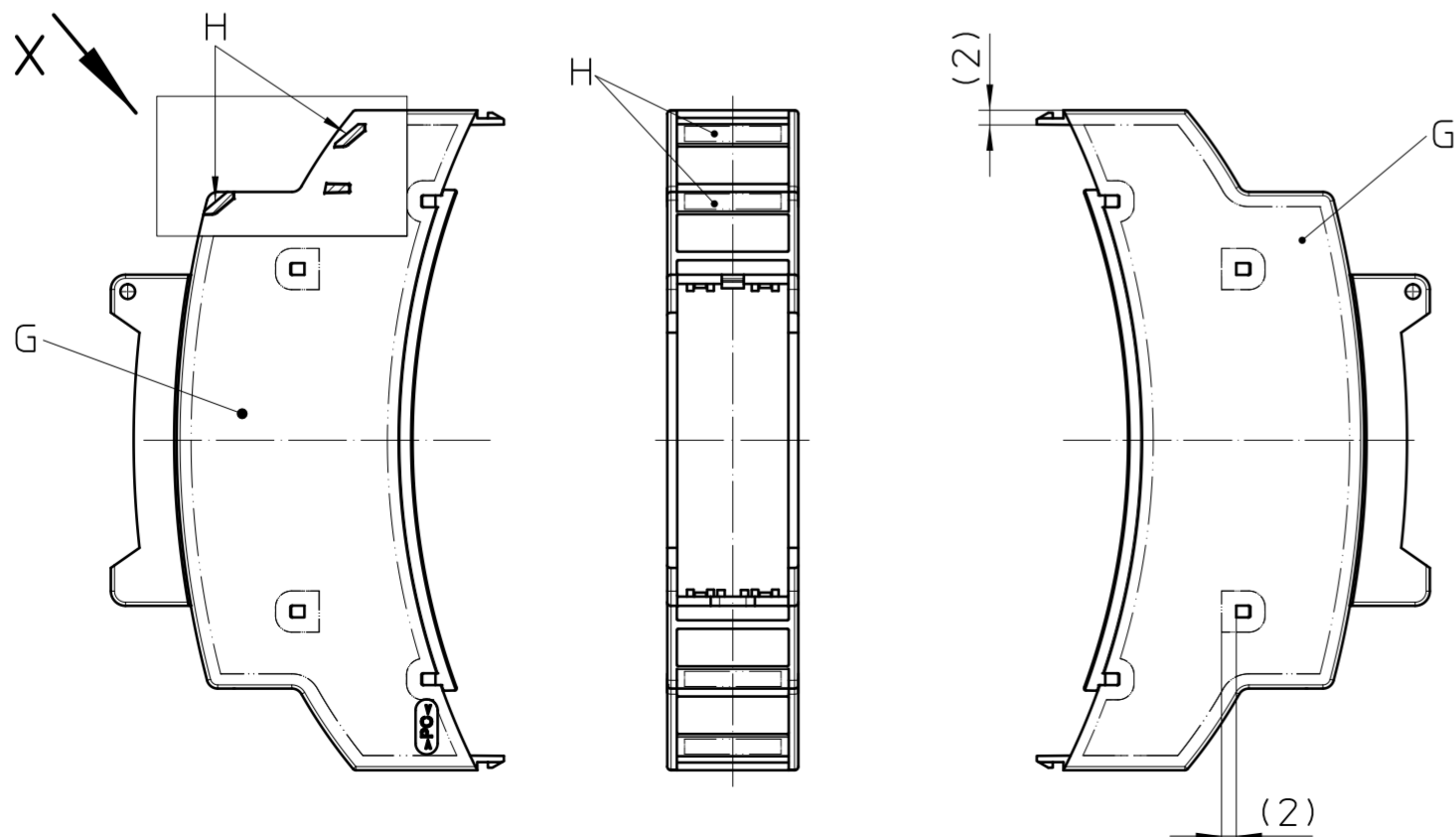
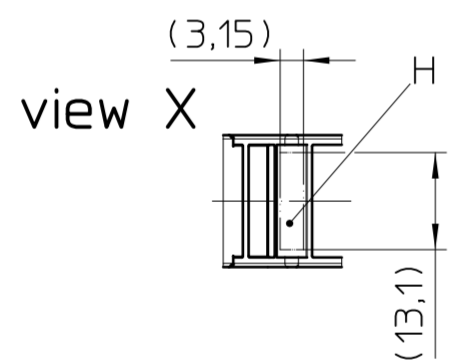


# Assembly example

Overall dimensions complaint DIN 43880



# Marking area



### General Information:

- Simplified representation, exemplary shown in gray.
- Document excluded from change process
- Units are in millimeters [mm] and degrees [°]
- Tolerances apply in a normal climate according to DIN EN ISO 291-23/50-2
- Workpiece zero point for mechanical processing
- Tolerances for mechanical processing are ISO 2768-mK
- Tolerances for printing DIN ISO 2768-m
- Machining radii min. R1, further on request
- Web: [www.phoenixcontact.com](http://www.phoenixcontact.com) webcode: #0311

### Additional Information:

- A. Housing lower part
  - B. Mounting rail like EN 30715: TH 35-7,5 or mounting rail TH 35-15x1,5 similar to EN 60715
  - C. Cover
  - D. PCB guidance
  - E. Plug for HBUS (PSTD 0,65X0,65/9-H-2,54)
  - F. PCB vertical
  - G. Marking area for pad printing and laser printing.
  - H. Marking area for pad printing and laser printing.
- The marking area has 2mm distance from all contours of this face.

Pos.	QTY	Description	Material
1	1	HOUSING UPPER PART	PC
DIN A2		document-No. / RI 01669527 / 00	date 12.03.2024
PHOENIX CONTACT		ident.-No. 1533652	document-type
page 1	of 1	description BC 17,8 OTU FKDSO KMGY	
scale 1:1			

Transfer or duplication of this document as well as the utilisation or communication of its content are not permitted unless express consent is granted. Violations give rise to claims for damages. All rights reserved in case of patent, utility model or design patent registrations.

Weitergabe sowie Vervielfältigung dieses Dokuments, Verwertung und Mitteilung seines Inhalts sind verboten, soweit nicht ausdrücklich gestattet. Zuwiderhandlungen verpflichten zu Schadensersatz. Alle Rechte für den Fall der Patent-, Gebrauchsmuster- oder Designeintragung vorbehalten.