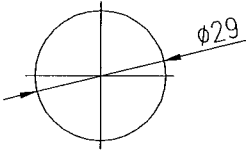
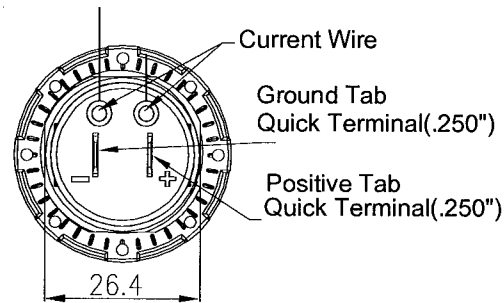
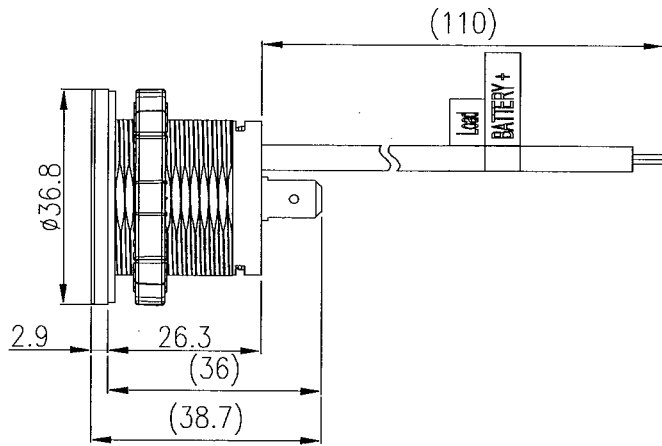
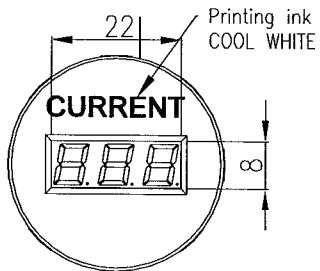
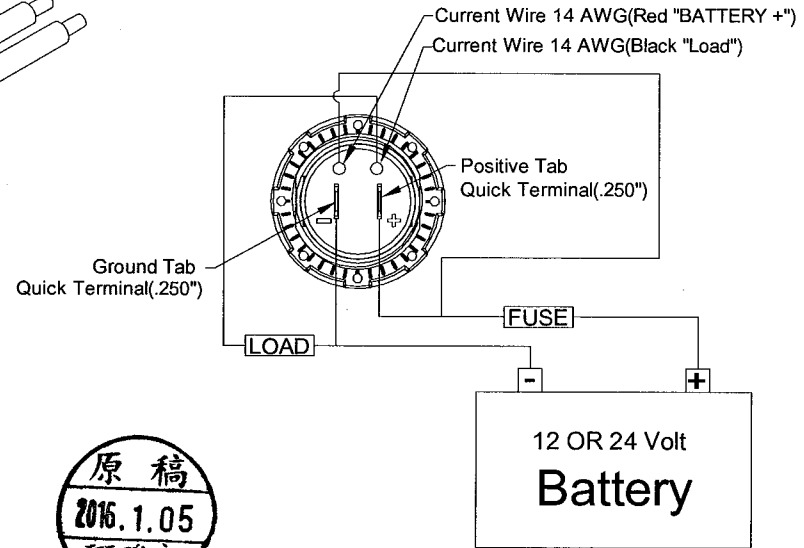
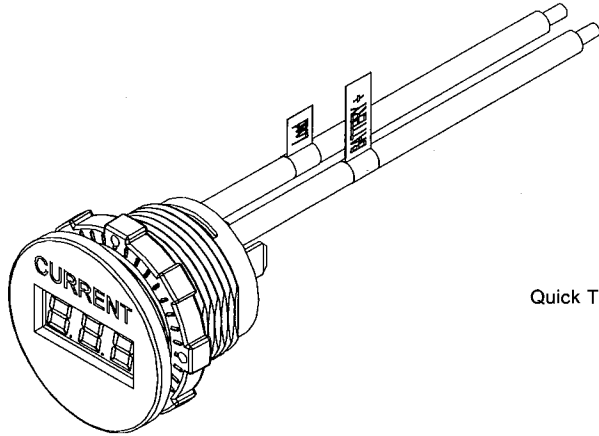
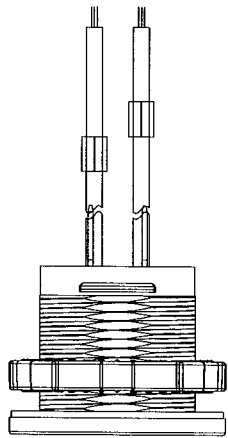


Rating	Operating voltage: 7V-33V DC Measuring Current range: 0-20.0A Current Tolerance: 5% 1A:±0.1A, 10A:±0.5A, 20A:±1.0A LED display. Reverse polarity protection. Surge protection up to 400W/35V	Mounting Hole 
	Insulation Resistance	
Operating Temperature	-20°C-50°C	



Tolerances ±0.3 Unless Otherwise Specified

for SCI

Drawn	Checked	Approved	SCI BOM No.	1570005	Model Name	DC Ammeter	
Rock Hsu	研發部	蘇承民	Customer No.		Model No.	A25-1B-BB3-R	Rev.
Date	Name	Description	No.	12/31/15	Unit	mm	0
						© Shin Chin Industrial Co., Ltd.	