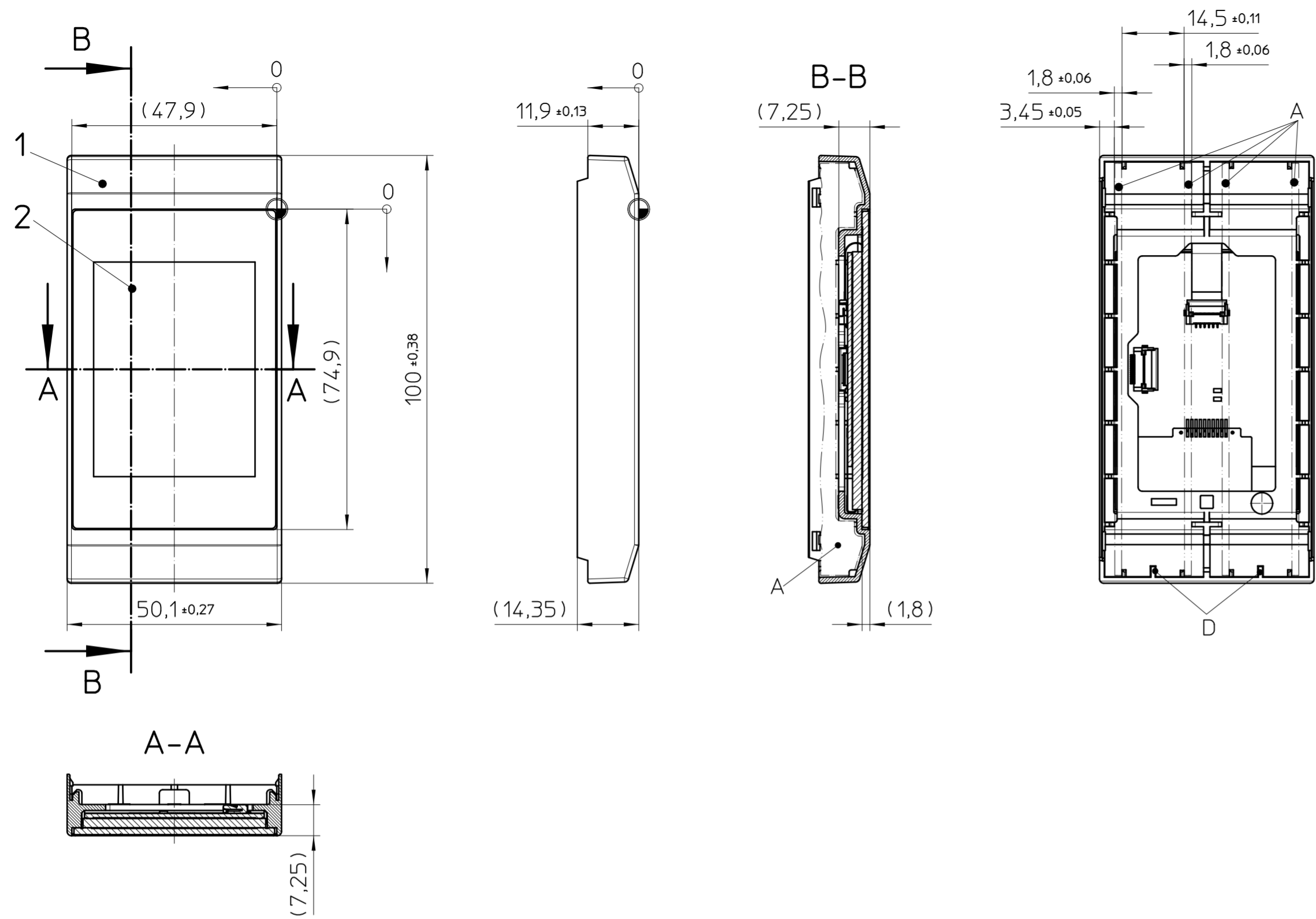
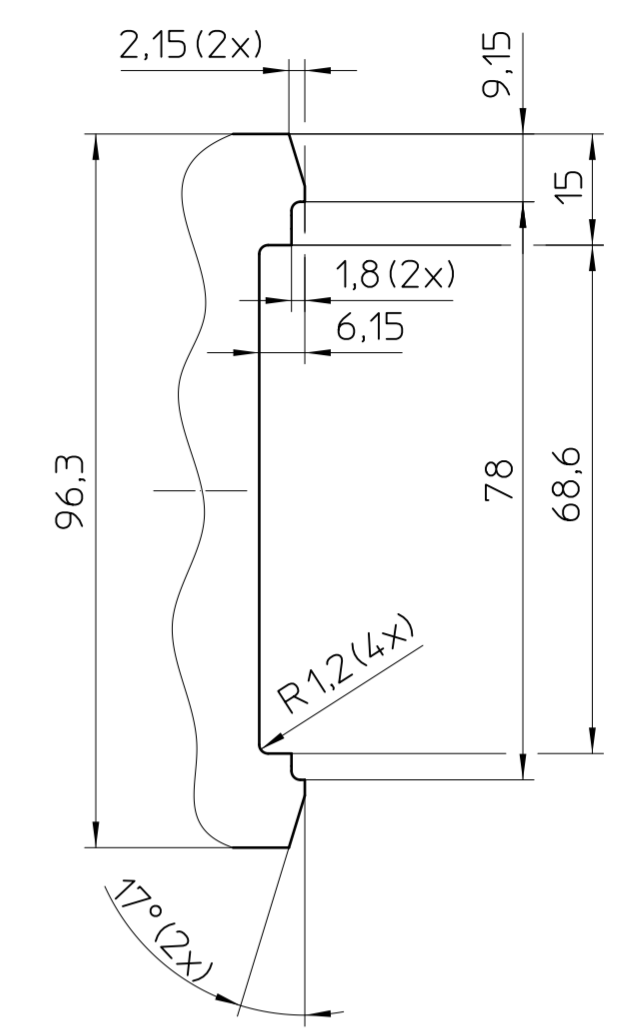


Transfer or duplication of this document as well as the utilisation or communication of its content are not permitted unless express consent is granted. Violations give rise to claims for damages. All rights reserved in case of patent, utility model or design patent registrations.

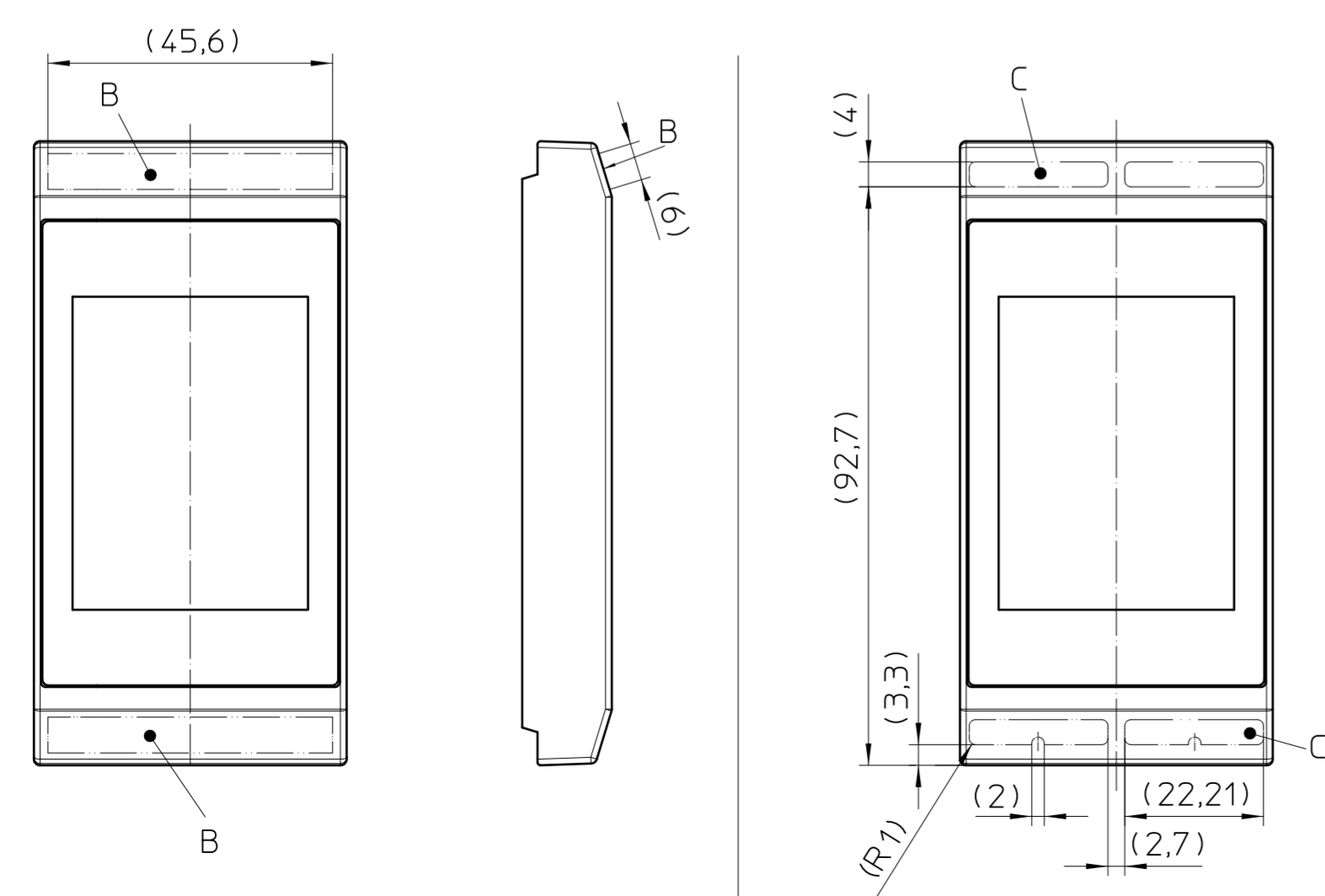
Weitergabe sowie Vervielfältigung dieses Dokuments, Verwertung und Mitteilung seines Inhalts sind verboten, soweit nicht ausdrücklich gestattet. Zuwiderhandlungen verpflichten zu Schadensersatz. Alle Rechte für den Fall der Patent-, Gebrauchsmuster- oder Designeintragung vorbehalten.



Recommended PCB



Tolerances for PCB:
 dimensions ≤30: ±0,10 / R±0,2 / ±1°
 dimensions > 30: ±0,15 / R±0,2 / ±1°
 symmetry: 0,2

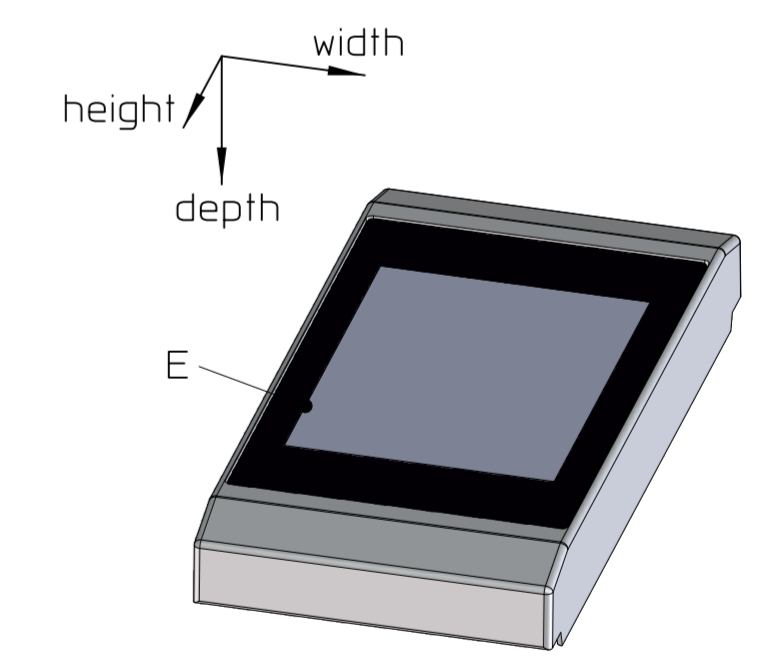


General Information:

- Simplified representation, exemplary shown in gray
- Document excluded from change process
- Units are in millimeters [mm] and degrees [°]
- Tolerances apply in a normal climate according to DIN EN ISO 291-23/50-2.
- PA plastic parts with about 2% (% by weight) moisture content.
- Workpiece zero point for marking and machining processing
- Tolerances for machining processing, milling contour to zero point ±0,2, milling to milling contour ±0,1
- Machining radii min. R1, further on request
- Tolerances for printing DIN ISO 2768-m
- Web: www.phoenixcontact.com webcode: #1635

Additional Information:

- A. PCB t= 1,6±0,2
- B. Max. marking area, only for pad printing, other printing processes on request.
- C. Max. machining area
- D. Coding
- E. Display 2,4", for more information see article 1132710



Pos.	QTY	Description	Material
1	1	COVER	PA
2	1	DISPLAY	

DIN A2	document-No. / RI 01313876 / 01	date 03.04.2025	scale 1:1
PHOENIX CONTACT	ident.-No. 1226370	document-type TECDOC 2D_Productdrawing	
page 1 of 1	description ICS50-C100X12-D2,4-TRG-7035-VPE1		