

# CHARX T1C-DC125-25,0FASBK001 - DC charging cable



1432352

<https://www.phoenixcontact.com/gb/products/1432352>

Please be informed that the data shown in this PDF document is generated from our online catalog. Please find the complete data in the user documentation. Our general terms of use for downloads are valid.



CHARX connect compact, CCS type 1, DC charging cable, 125 A permanent, 1000 V DC, with vehicle charging connector and open cable end, cable: 25 ft, black, straight, with connected CS contact, with analog temperature sensors, no liquid cooling, PHOENIX CONTACT logo, SAE J1772, IEC 62196-3, for charging electric vehicles (EV) with direct current (DC)

## Product description

DC charging cable with vehicle charging connector and free cable end for fast charging of electric vehicles (EV) with direct current (DC) via CCS type 1 vehicle charging inlets, for installation at charging stations for e-mobility (EVSE)

## Your advantages

- The right charging cable for every application, from the carport to the charging park
- Convenient handling due to the ergonomic design
- High cable flexibility even in cold weather
- Available with your logo on request - for consistent branding of your charging station
- Developed and produced in accordance with the IATF 16949 automotive standard and ISO 9001

## Commercial data

Item number	1432352
Packing unit	1 pc
Minimum order quantity	1 pc
Sales key	XWBMAC
Product key	XWBMAC
GTIN	4063151797690
Customs tariff number	85444290
Country of origin	DE

# CHARX T1C-DC125-25,0FASBK001 - DC charging cable



1432352

<https://www.phoenixcontact.com/gb/products/1432352>

## Technical data

### Product properties

Product type	DC charging cable
Product family	CHARX connect compact
Type	DC charging cable with vehicle charging connector and open cable end
Design	with connected CS contact with analog temperature sensors no liquid cooling
Charging standard	CCS type 1
Charging mode	Mode 4 DC level 3
Affixed logo	PHOENIX CONTACT logo

### Electrical properties

Temperature monitoring	2x Pt 1000
------------------------	------------

#### Charging power and current (DC charging)

Type of charging current	DC
Charging current	125 A DC
Charging power	125 kW
Rated voltage	1000 V

#### Pin assignment (Power contacts)

Note on the connection method	Crimp connection, cannot be disconnected
Number	3 (PE, DC+, DC-)
Rated voltage	1000 V DC
Rated current	125 A

#### Pin assignment (Signal contacts)

Note on the connection method	Crimp connection, cannot be disconnected
Type of signal transmission	Pulse width modulation with modulated Powerline communication in accordance with ISO/IEC 15118 / DIN SPEC 70121
Number	2 (CP, CS)
Rated voltage	30 V AC
Rated current	2 A
Coding	480 $\Omega$ (Lever actuated) 150 $\Omega$ (Lever not actuated)

#### Temperature sensors (Pt 1000)

Sensor type	Pt 1000
Standards/regulations	DIN EN 60751
Attachment point	2 sensors for the DC contacts

# CHARX T1C-DC125-25,0FASBK001 - DC charging cable



1432352

<https://www.phoenixcontact.com/gb/products/1432352>

## Material specifications

Color (Housing)	black (9005)
Color (Handle area)	black (9005)
Color (Mating face)	black (9005)
Color (Protective cap)	black (9005)
Color (Cable)	black (9005)
Material (Vehicle charging connector)	Plastic
Material (Cable outer sheath)	TPE
Material (Contact surface)	Silver
Note	The color appearance and gloss level of the charging cable may vary.
Flammability rating according to UL 94	V0 (Mating face)

## Cable/line

Cable length	25 ft
Wiring standards/regulations	UL 2263 FFSO7.E343212
Cable weight	max. 958.00 kg/km
Cable type	straight
Cable structure	2 x 3 AWG + 1 x 5 AWG + 3 x 2 x 18 AWG
External cable diameter	22.00 mm ±0.4 mm
Outer sheath, material	TPE
Cable resistance	≤ 0.0007 Ω/m (based on a power core, at an ambient temperature of 20°C)
Bending radius	min. 220 mm (10x Ø)

## Mechanical properties

### Mechanical data

Insertion/withdrawal cycles	> 10000
Insertion force	< 75 N
Withdrawal force	< 75 N

## Environmental and real-life conditions

### Ambient conditions

Degree of protection (Vehicle charging connector)	IP44 (The degree of protection is only ensured in the ready and plugged-in state when both plug-in components are original products from Phoenix Contact or suitable standard-compliant products.)
Ambient temperature (operation)	-30 °C ... 50 °C
Ambient temperature (storage/transport)	-40 °C ... 80 °C
Altitude	5000 m (above sea level)

## Standards and regulations

### Standards

# CHARX T1C-DC125-25,0FASBK001 - DC charging cable



1432352

<https://www.phoenixcontact.com/gb/products/1432352>

Standards/regulations	SAE J1772
	IEC 62196-3

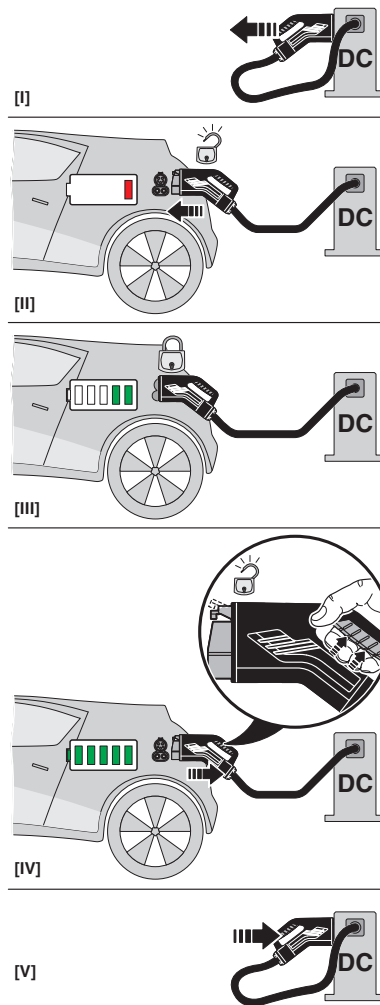
# CHARX T1C-DC125-25,0FASBK001 - DC charging cable

1432352

<https://www.phoenixcontact.com/gb/products/1432352>

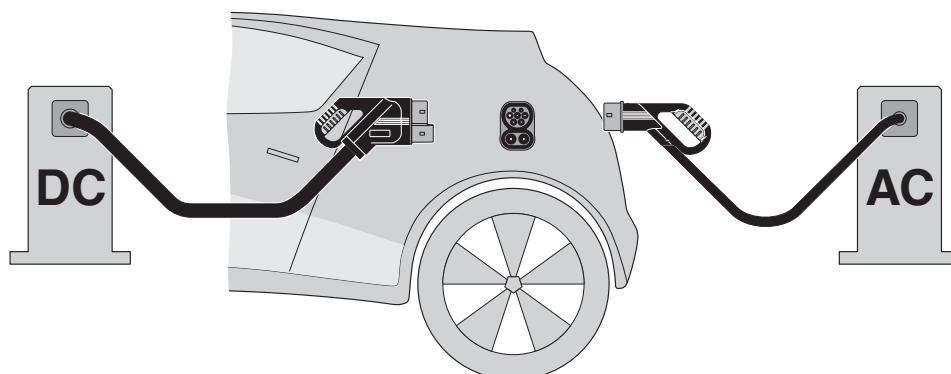
## Drawings

### Schematic diagram



## Operating instructions

### Schematic diagram



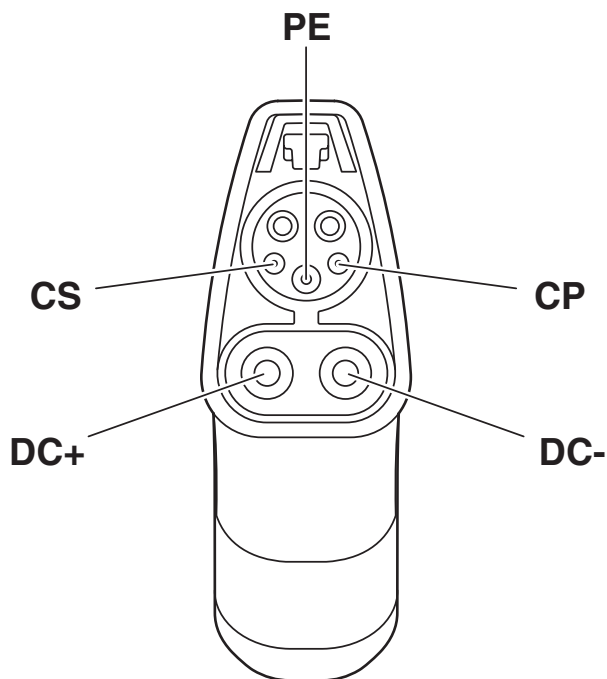
The Combined Charging System (CCS) principle - standard-compliant charging system for electric vehicles, which supports both conventional AC charging and fast DC charging. Both Vehicle Connectors fit into the CCS Vehicle Inlet.

# CHARX T1C-DC125-25,0FASBK001 - DC charging cable

1432352

<https://www.phoenixcontact.com/gb/products/1432352>

Schematic diagram



Pin assignment of the Vehicle Connector

# CHARX T1C-DC125-25,0FASBK001 - DC charging cable




1432352

<https://www.phoenixcontact.com/gb/products/1432352>

## Approvals

To download certificates, visit the product detail page: <https://www.phoenixcontact.com/gb/products/1432352>

 <b>cULus Recognized</b> Approval ID: E473195-20240925				
	Nominal voltage $U_N$	Nominal current $I_N$	Cross section AWG	Cross section $\text{mm}^2$
keine				
	1000 V	125 A	-	-

# CHARX T1C-DC125-25,0FASBK001 - DC charging cable



1432352

<https://www.phoenixcontact.com/gb/products/1432352>

## Classifications

### ECLASS

ECLASS-13.0	27144705
ECLASS-15.0	27144705

### ETIM

ETIM 10.0	EC002897
-----------	----------

# CHARX T1C-DC125-25,0FASBK001 - DC charging cable



1432352

<https://www.phoenixcontact.com/gb/products/1432352>

## Environmental product compliance

### EU RoHS

Fulfills EU RoHS substance requirements	Yes
Exemption	6(c)

### China RoHS

Environment friendly use period (EFUP)	EFUP-50
	An article-related China RoHS declaration table can be found in the download area for the respective article under "Manufacturer declaration". For all articles with EFUP-E, no China RoHS declaration table issued and required.

### EU REACH SVHC

REACH candidate substance (CAS No.)	Lead(CAS: 7439-92-1)
	6,6'-di-tert-butyl-2,2'-methylenedi-p-cresol(CAS: 119-47-1)

Phoenix Contact 2026 © - all rights reserved

<https://www.phoenixcontact.com>

PHOENIX CONTACT Ltd  
Halesfield 13, Telford  
Shropshire, TF7 4PG  
01952 681700  
[info@phoenixcontact.co.uk](mailto:info@phoenixcontact.co.uk)