



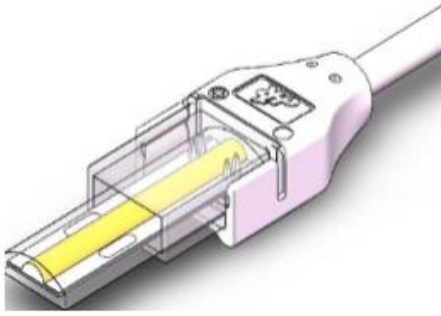
UQS-COB-8W-CS-WP

Compression fittings for connecting LED strip



■ Features:

- For LED clamp connection
- Perfect for joining lengths of tapes
- Versions with and without cable



TECHNICAL DETAILS

MODEL	UQS-COB-8W-CS-WP
Working voltage	12-24VDC
Max current	6 A
Application	strip – cable
Wire cross-section	20 AWG
PCB tape width	10 mm
Type	One-sided with a cable for non-hermetic tape
Designed for a series of tape	UQS-COB-10mm
Packing	100pcs / (bag)