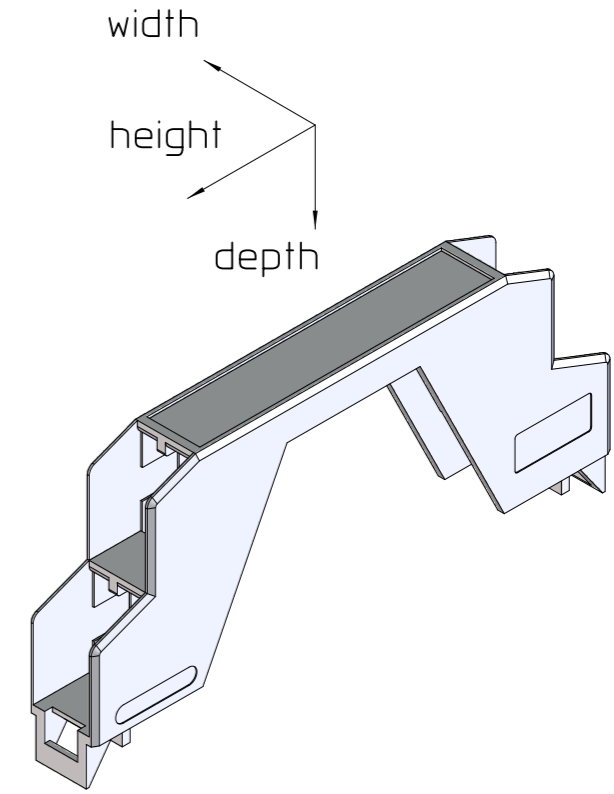
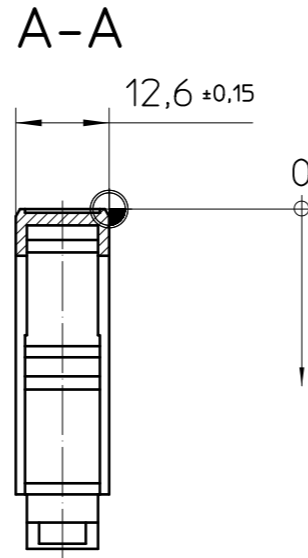
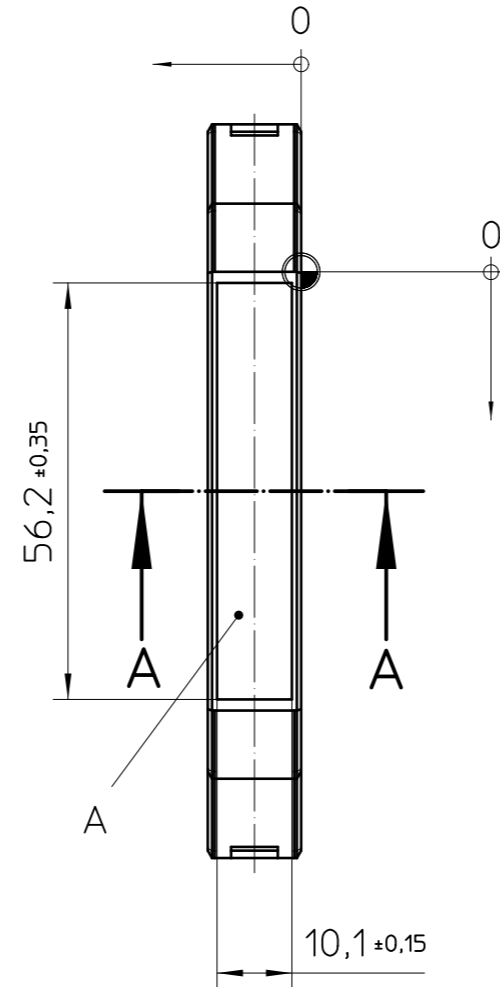
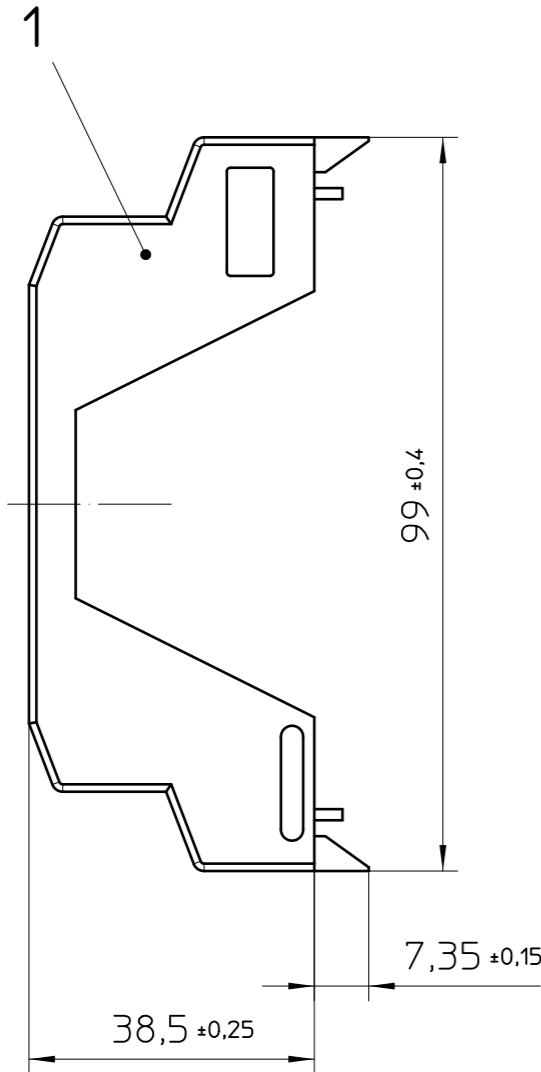



Transfer or duplication of this document as well as the utilisation or communication of its content are not permitted unless express consent is granted. Violations give rise to claims for damages. All rights reserved in case of patent, utility model or design patent registrations. Tolerance specifications do not include clearances inherent in the design.

Weitergabe sowie Vervielfältigung dieses Dokuments, Verwertung und Mitteilung seines Inhalts sind verboten, soweit nicht ausdrücklich gestattet. Zuwiderhandlungen verpflichten zu Schadensersatz. Alle Rechte für den Fall der Patent-, Gebrauchsmuster- oder Designeintragung vorbehalten. Bauartbedingtes Spiel ist in den Toleranzangaben nicht berücksichtigt.





General Information:

- Simplified representation, exemplary shown in gray.
- Tolerances apply in a normal climate according to DIN EN ISO 291-23/50-2, PA plastic parts with about 2% (% by weight) moisture content.
-  Workpiece zero point for mechanical processing
- Tolerances for mechanical processing are ISO 2768-mK
- Tolerances for printing DIN ISO 2768-m
- Web: [www.phoenixcontact.com](http://www.phoenixcontact.com) webcode: #0305

Additional Information:

A. Machining + Marking area

Pos.	QTY	Description	Material
1	1	UPPER PART	PC
 DIN A3		document-no. / ri	article-no.
		00847342 / 04	2201583
date 27.01.2026		document-type TECDOC 2D_Productdrawing	
description ME 12,5 OT-MSTBO GY		scale 1:1	- Document excluded from change process - Linear dimensions [mm]
page 1	of 1		