

## Sealing frame

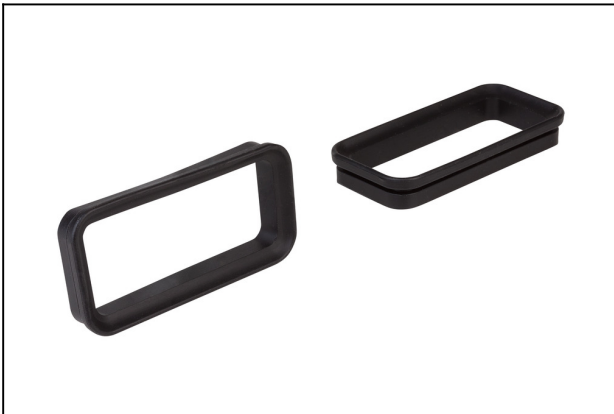
ISDR 81x43x12 Cup 2 NBR-50

Part no.:10.01.15.00418

<https://www.schmalz.com/10.01.15.00418>

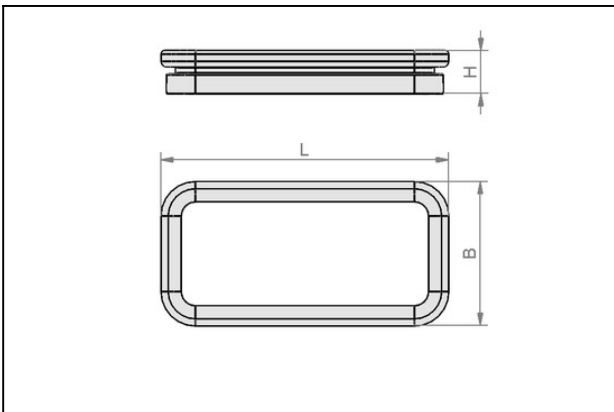
Homepage > Vacuum Clamping Technology > Clamping Equipment for Metal and Plastic Processing > ISDR 81x43x12 Cup 2 NBR-50

## Sealing frame



Length L: 81 mm  
Width B: 43 mm  
Height H: 12 mm  
Type: Cup 2  
Suction cup material:  
Perbunan NBR 50±5ShA

## Design Data



Attribute	Value
-----------	-------

B	43 mm
---	-------

H	12 mm
---	-------

L	81 mm
---	-------