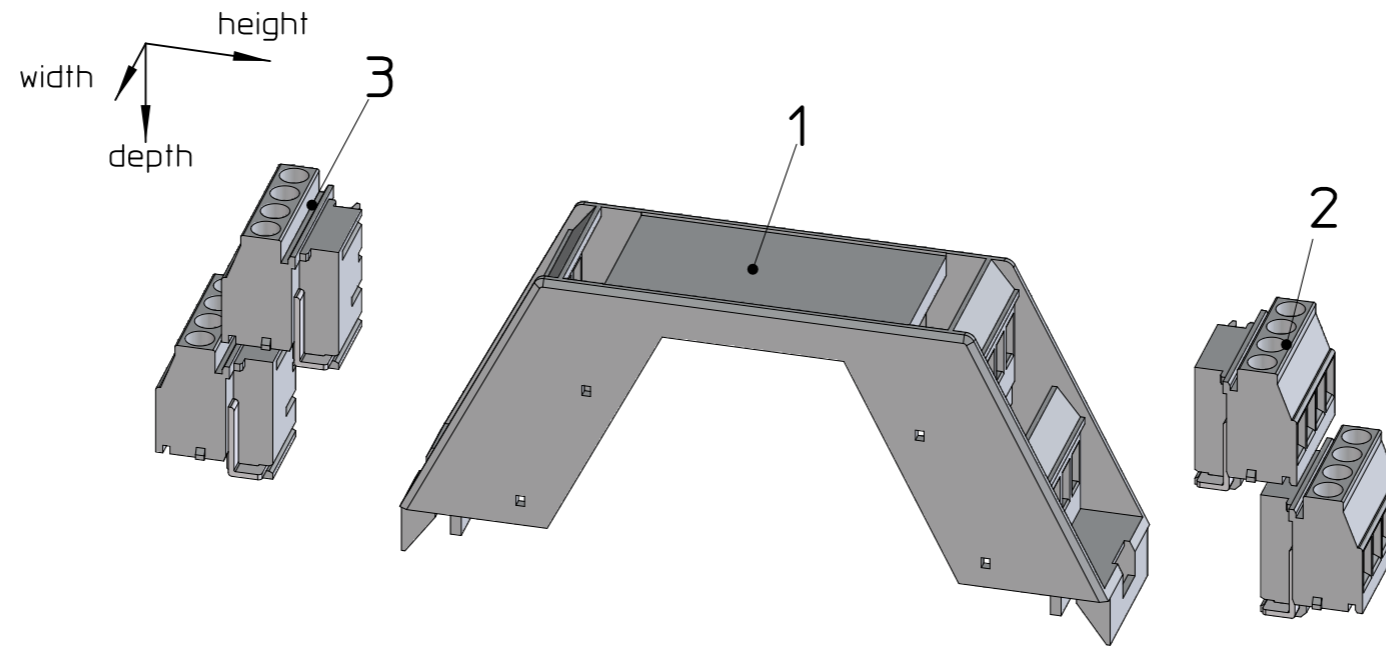
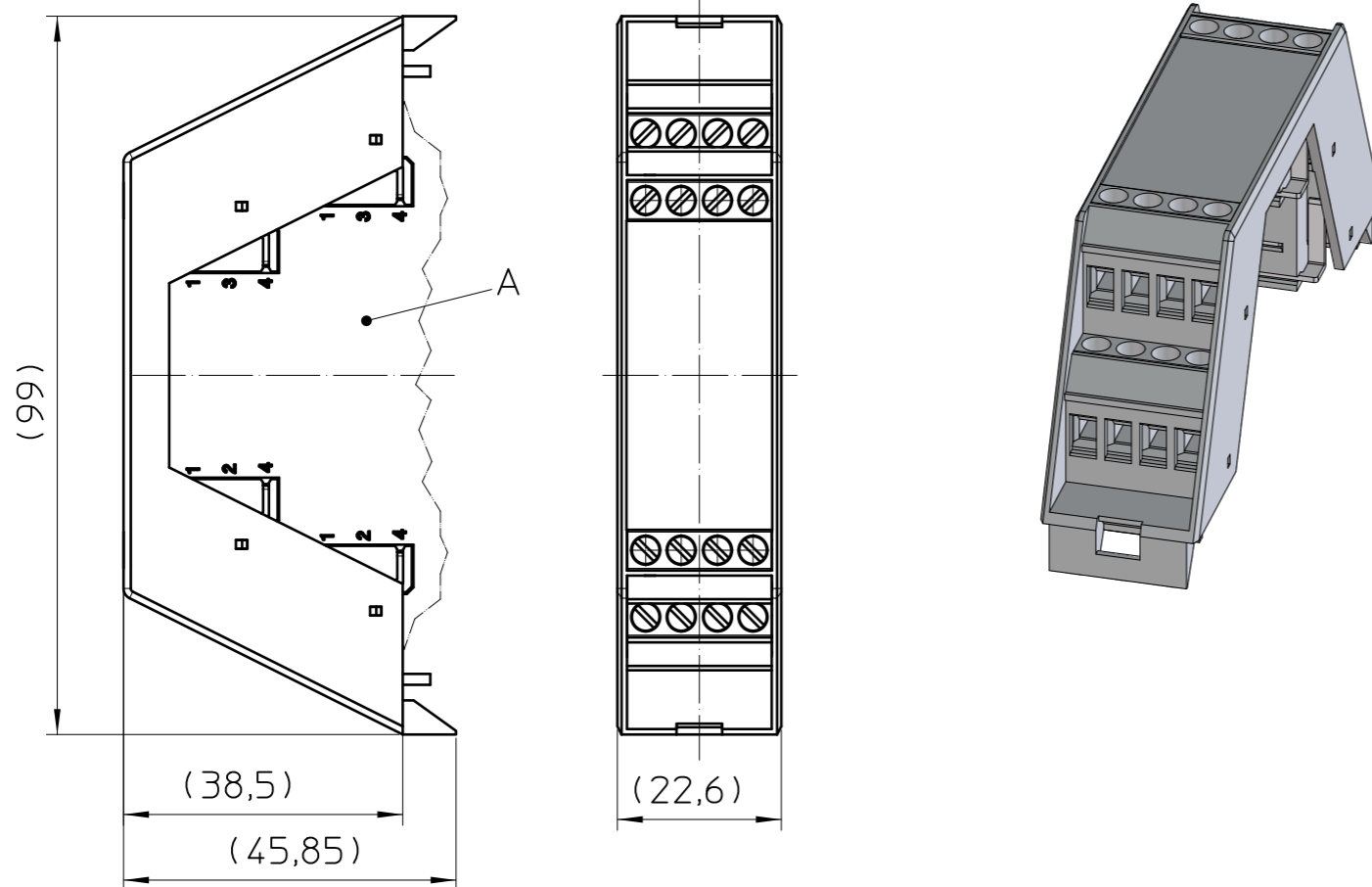


Transfer or duplication of this document as well as the utilisation or communication of its content are not permitted unless express consent is granted. Violations give rise to claims for damages. All rights reserved in case of patent, utility model or design patent registrations. Tolerance specifications do not include clearances inherent in the design.

Weitergabe sowie Vervielfältigung dieses Dokuments, Verwertung und Mitteilung seines Inhalts sind verboten, soweit nicht ausdrücklich gestattet. Zuwiderhandlungen verpflichten zu Schadensersatz. Alle Rechte für den Fall der Patent-, Gebrauchsmuster- oder Designeintragung vorbehalten. Bauartbedingtes Spiel ist in den Toleranzangaben nicht berücksichtigt.



Assembly example



General Information:

- Simplified representation, exemplary shown in gray.
- Tolerances apply in a normal climate according to DIN EN ISO 291-23/50-2,PA plastic parts with about 2% (% by weight) moisture content.
- Web: www.phoenixcontact.com - item number

Additional Information:

A. PCB, not included in the kit

KIT (not mounted)			
Pos.	QTY	Description	Item number
1	1	HOUSING UPPER PART	2908469
2	2	HEADER RIGHT	2908472
3	2	HEADER LEFT	2908485
DIN A3		document-no. / ri	article-no.
PHOENIX CONTACT		01403007 / 00	2853734
date 12.11.2021		document-type TECDOC 2D_Productdrawing	
description ME 22,5 OT-MKDSO SET KMGY		scale 1:1	- Simplified representation - Document excluded from change process - Linear dimensions [mm]
page 1	of 1		