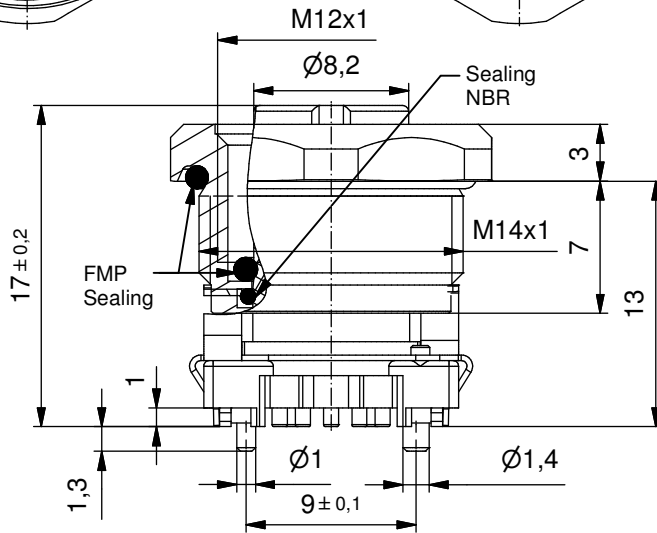


**Technical specification:**

Rated voltage: 8pos 30 V  
 IEC 61076-2-101  
 Current rating: 8pos 2 A at 40°C  
 IEC 61076-2-101  
 Insulation resistance: >=100 MΩ  
 IEC 60512  
 Pollution degree: 3/2  
 IEC 60664-1  
 Degree of protection: IP 67, in mated condition  
 IEC 60529  
 Temperature range: -25°C ... +95°C  
 EN 60512-11-10  
 -40°C  
 EN 60512-11-4 -40°C ... +85°C



Mating cycles: >=100  
 IEC 60512-9a

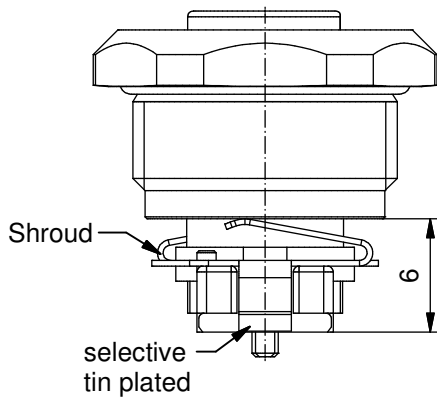
Total spring forces shroud: 6,00mm 8-9N

**Materials:**

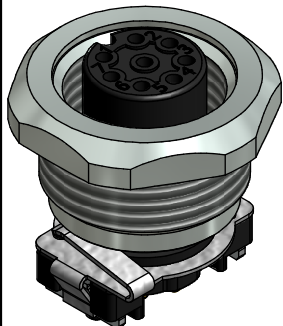
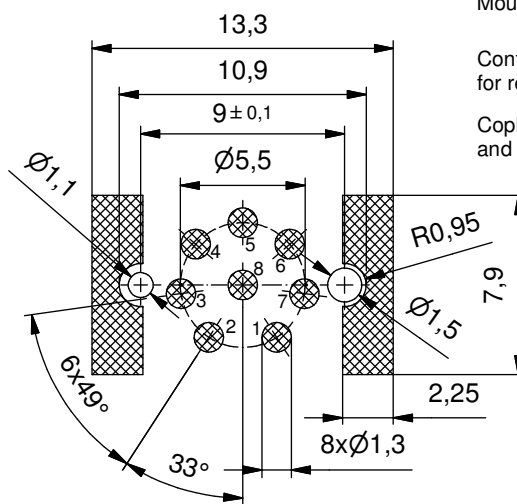
Contact: CuZn, Ni b / Au 0,2 gal.  
 Contact carrier: LCP GF, UL 94 V-0  
 Soldering sheet: CuZn, Ni / tin plated  
 Shroud: CuZn, Ni / sel. tin plated  
 Socket housing: CuZn, Ni  
 Sealing: FPM / NBR

**Installation specification:**

Recommended torque: 1-1,2 Nm  
 Torque wrench: 36-000200  
 installation tool: Insert across flats 17: 36-000230  
 Mounting situation: see fig. 4 43K1A1791  
 Contact carrier module suitable for reflow soldering max. 60s / 250°C  
 Coplanarity of all contacts, soldering sheets and shroud max 0,1mm



**Layout proposal**



Part no. packing unit Tape & Reel:	Part no. packing unit in bulk:	Description:	Pos
43-02108TR	43-02108	SAL - 12S - FK5 - X13 / 14 / SMT	8

DO NOT ALTER CAD DRAWING BY HAND RoHS & REACH compliant	Index b 30.03.16 brü Ä6042 technical data changed & tolerance optimized		dim. in mm	title: <b>Female socket M12x1 SMT, shielded</b>	
			date		name
			drawn 07.01.13		Kniesburgess
		appd. 07.01.13	Franz	dwg no:	
general tolerance:		0 ± 0,50mm		43K1A1818	
		0,0 ± 0,25mm			
		0,00 ± 0,10mm			
		* ± 1,5°		part no: see table	
THIS DRAWING MAY NOT BE COPIED OR REPRODUCED IN ANY WAY, AND MAY NOT BE PASSED ON TO A THIRD PARTY WITHOUT WRITTEN PERMISSION. OWNERSHIP AND COPYRIGHT OF CONEC GmbH					
<b>CONEC®</b>					