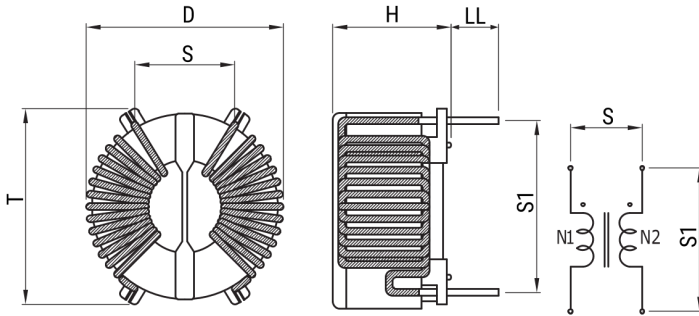


SC-02-E50JKH

Aliases (UALSC02E50JKH0)

KEMET, SC_JKH, AC Line Filters, Common Mode, 5.4 mH



Click [here](#) for the 3D model.

Dimensions

| | |
|-----------|--------------|
| D | 24.5mm MAX |
| T | 24.5mm MAX |
| H | 17mm MAX |
| LL | 3.5mm +/-1mm |
| S | 11mm NOM |
| S1 | 18mm NOM |
| Wire Size | 0.75mm |

Packaging Specifications

| | |
|--------------------------|--------|
| Packaging | Tray |
| Packaging Quantity | 320 |
| Typical Component Weight | 13.9 g |

General Information

| | |
|---------------|---------------------------------------------|
| Series | SC_JKH |
| Style | Through-Hole |
| RoHS | Yes |
| Notes | Lead Spacing (S/S1) Are For Reference Only. |
| Miscellaneous | Temperature Rise Maximum: 40 K. |
| Core | Mn-Zn Ferrite |

Specifications

| | |
|-------------------|------------|
| Voltage AC | 250 VAC |
| Inductance | 5.4 mH |
| Current | 2.7 A |
| Temperature Range | -25/+120°C |
| DC Resistance | 55 mOhms |