

## Bell suction cup (round)

### SAX 60 ED-85 G1/4-AG

Part no.:10.01.19.00216

<https://www.schmalz.com/10.01.19.00216>

Homepage > Vacuum Technology for Automation > Vacuum Components > Vacuum Suction Cups > Suction Cups for Handling Sheet Metal >

Bell-Shaped Suction Cups SAX > SAX 60 ED-85 G1/4-AG

## Bell suction cup (round) for best adaptation to strongly curved surfaces



Size: 60

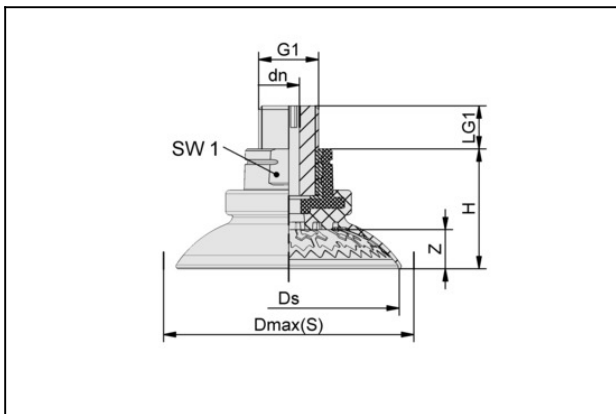
Suction cup material: Elastodur

Material hardness: 85 °Sh

Vacuum connection: G1/4"-M

Nipple material: Aluminium

### Design Data



Attribute	Value
dn	6.1 mm
Dmax(S)	69.7 mm
Ds	61.5 mm
G1	G1/4"-AG
H	33.4 mm
LG1	14.5 mm
SW1	22 mm
Z (Stroke)	10.9 mm

### Technical Data

## Bell suction cup (round)

### SAX 60 ED-85 G1/4-AG

Part no.:10.01.19.00216

<https://www.schmalz.com/10.01.19.00216>



Attribute	Value
Suction force (-600mbar)	154 N
Lateral force	107 N
Lateral force (oily surface)	155 N
Volume	25.2 cm <sup>3</sup>
Curve radius (min) (convex)	30 mm
Size	60
Connection	G1/4"-M
Number of folds	0
Suction cup material	Elastodur
Material hardness [Shore A]	85 Shore A
Weight	38 g
Product family	SAX

---

---