

MOD - 02

Bluetooth Breakout Board



Store: store.modulowo.com
Tutorials: academy.modulowo.com
Documentation and schematics: products.modulowo.com
Software and projects: app.modulowo.com
Blog: blog.modulowo.com

Modułowo sp. z o.o.
ul. Mokotowska 1,
00-640 Warszawa, POLAND
E-mail: info@modulowo.com

The adapter designed for Bluetooth/UART's module, provides adequate power supply, adjust the voltage levels of UART serial transmission.



A complete Bluetooth module is used for simple and wireless communication of devices, for example, between the microcontroller and the computer. Thanks to this device, which so far has been connected via the UART serial port, can now be used for easy wireless communication - simply connect UART leads to the Bluetooth module.

Note! The set does not include a Bluetooth module. The adapter works with HC05 or HC06 Bluetooth Module.

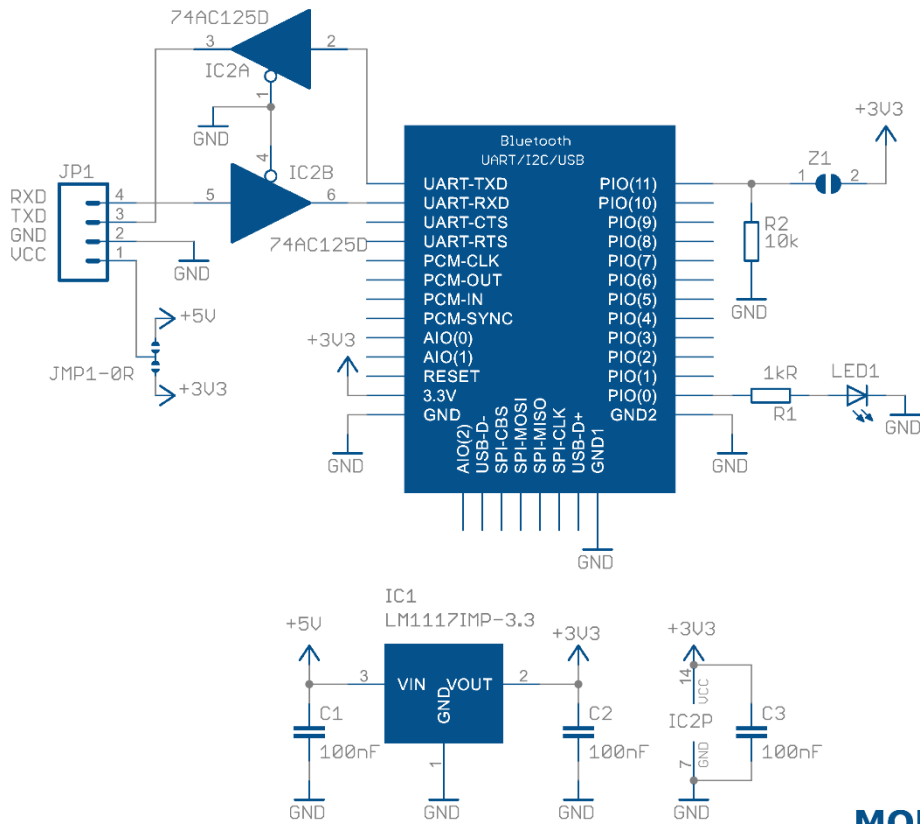
Specifications:

Code and Product Name	MOD-02 Bluetooth Breakout Board
Integrated Circuit	LM1117-3.3
Input Pins	4 - pin
Output Pins	TX, RX, GND, VCC
More Pins	PROG Jumper
Power	+ 3.3 V / + 5 V (Jumper)
LED Indication	Yes
Dimensions	37 mm x 23 mm
Configuration	Supply Voltage Select SMD Jumper
Additional Information	tolerates + 3.3 / 5V Supply Voltage
	built-in + 3.3V stabiliser for Bluetooth's module

Your list of modules

Each module has a unique serial number. Go to www.modulowo.com/list, enter the serial number and add the module to your list. This will allow quick access to the documentation and software.

Schematic:



MOD-02

Pinouts:

