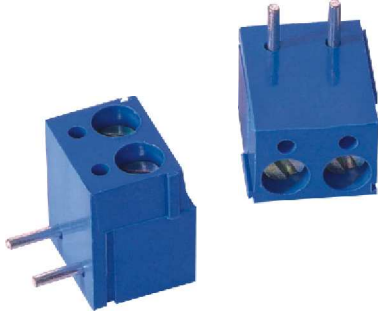
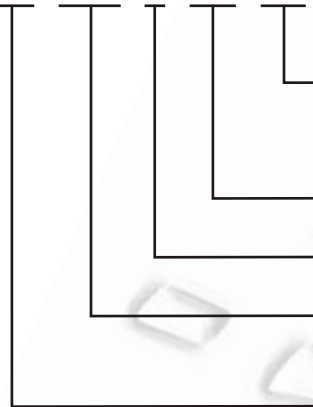


Specification:



Contact: Brass (CuZn), Cu/Ni, tin plated
 Terminal screw: Steel galvanized and chromated
 Insulator: Poly Butylene, Terephthlene,
 PBT (30% Glass Filled) (UL94V-0)
 Operating temperature: -30°C to 120°C
 Current rating: 16 A
 Resistance to tracking: 5 MW
 Dielectric strength: 2500 V
 Insulation withstanding voltage: 1500 VAC min.
 Rated voltage: 300 V
 Conductor size: 2.5 to 4 mm²

TB-5.0-P-2P-BK



Colour:

none - blue
 GY - gray
 BK - black

No. of Poles

N - max. 24

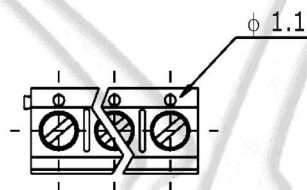
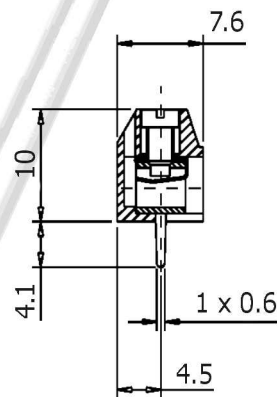
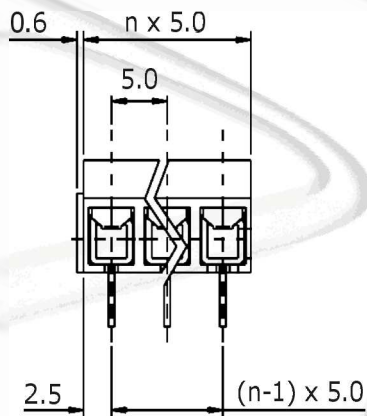
Front Wire Inlet Type:

P - Screw on Top

Pitch:

5.0 - 5.0 mm
 10 - 10.0 mm

Terminal Block



Recommended PCB holes diameter: ϕ 1.2 mm to ϕ 1.4 mm